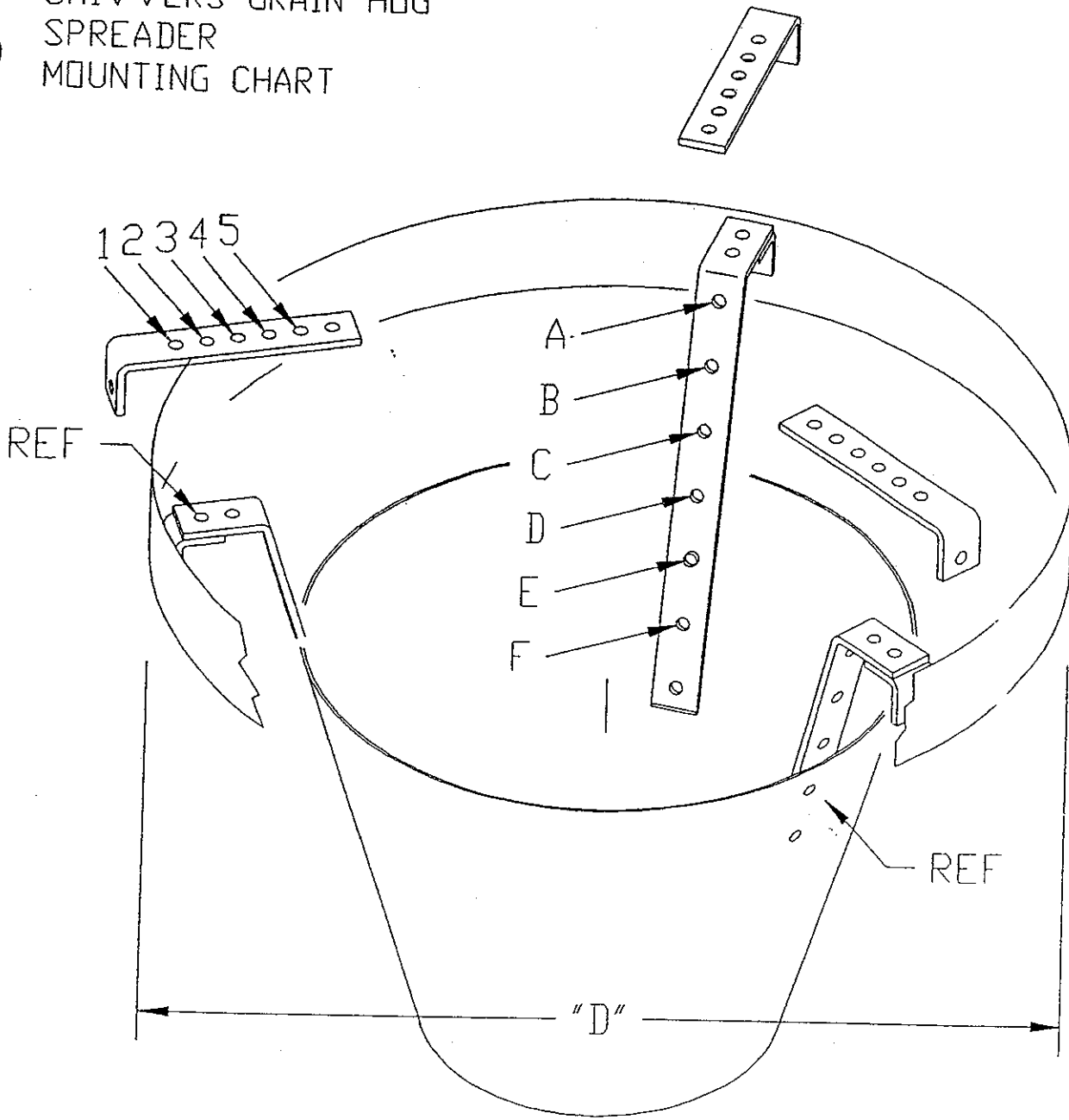


SHIVERS GRAIN HOG
SPREADER
MOUNTING CHART



	1" DN	3" DN	5" DN	7" DN	9" DN	11" DN
	A	B	C	D	E	F
1	25.884	27.024	28.162	29.302	30.440	31.580
2	27.884	29.024	30.162	31.302	32.440	33.580
3	29.884	31.024	32.162	33.302	34.440	35.580
4	31.884	33.024	34.162	35.302	36.440	37.580
5	33.884	35.024	36.162	37.302	38.440	39.580

BIN OPENING DIAMETERS