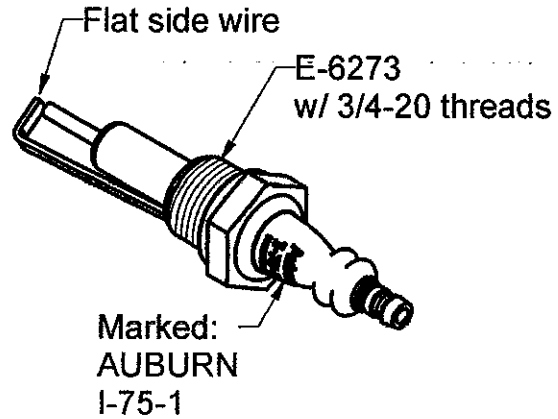
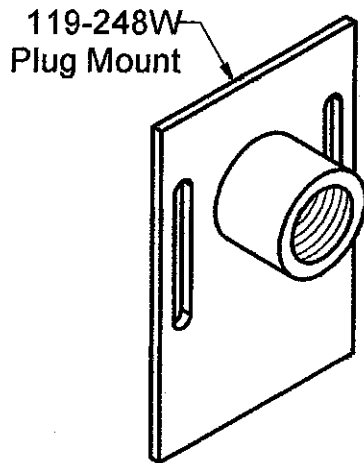


BLUE FLAME II CENTRIFUGAL HEATERS

CHANGES TO SPARK PLUG AND PLUG MOUNT:

OLD VERSION



Replaced by NEW VERSION

