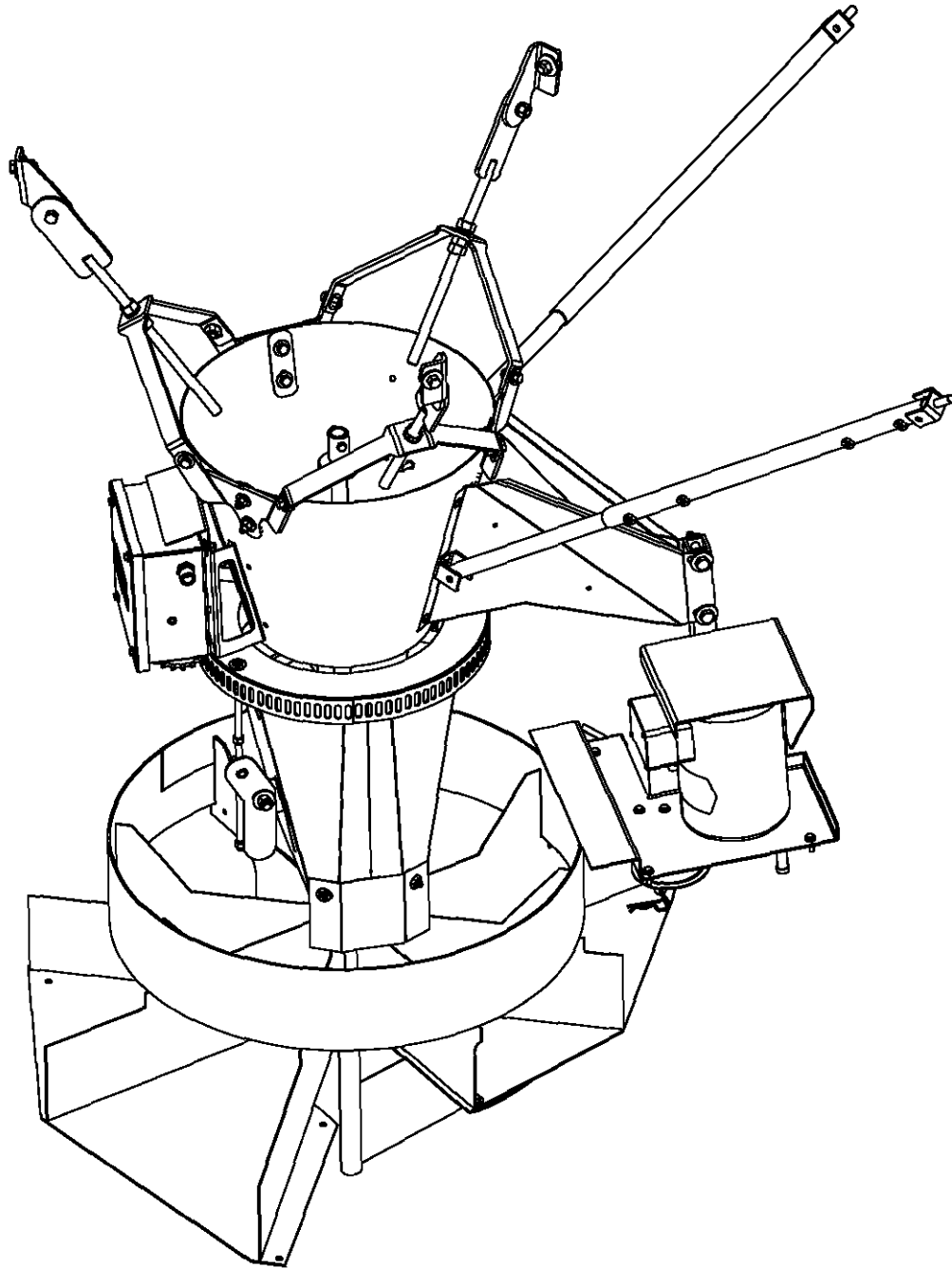
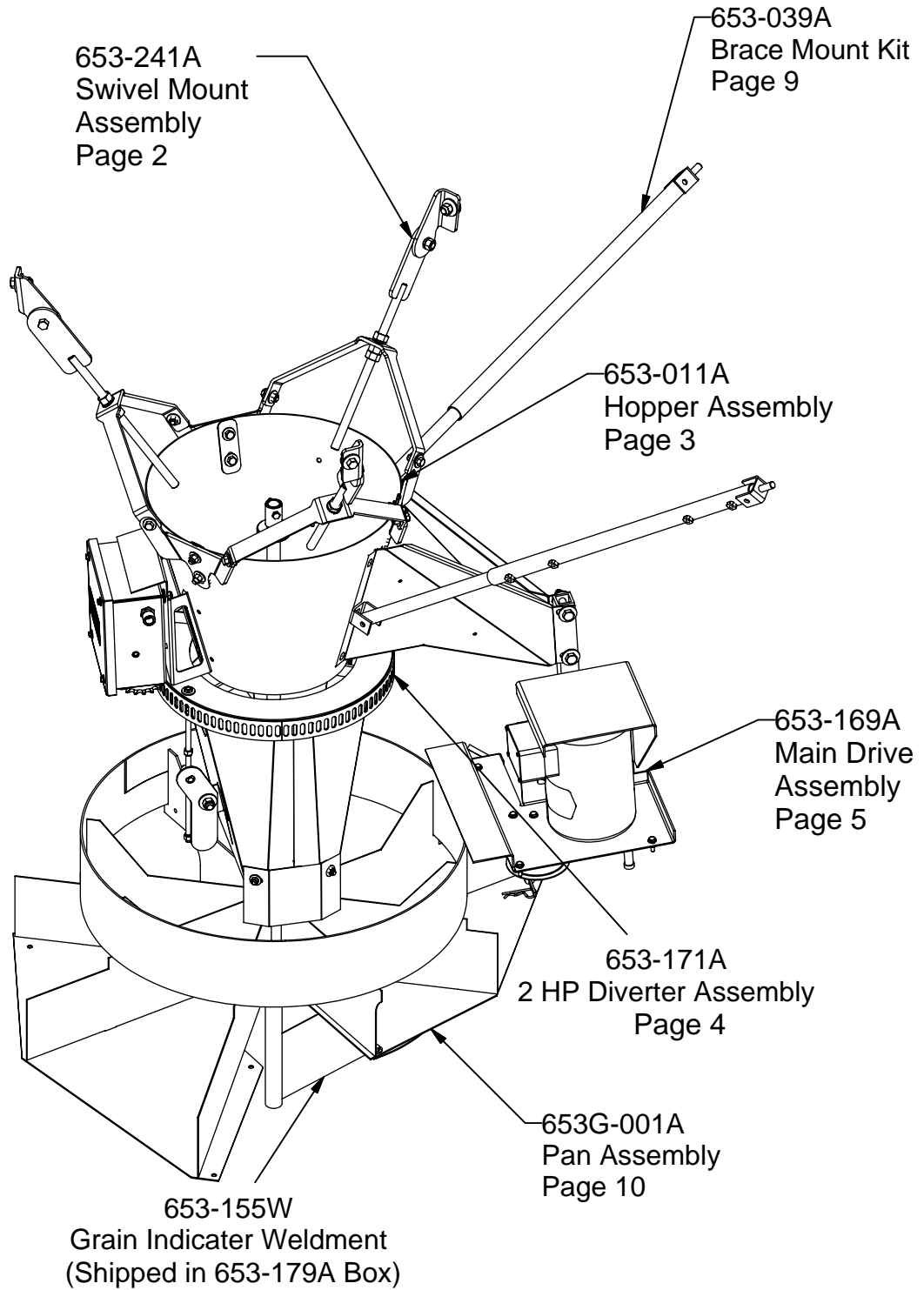


CONTROLLED FLOW GRAIN SPREADER PARTS MANUAL  
653E-001A -2HP CFGS  
653F-001A-CFGS CONTROL BOX  
653G-001A-CFGS PAN



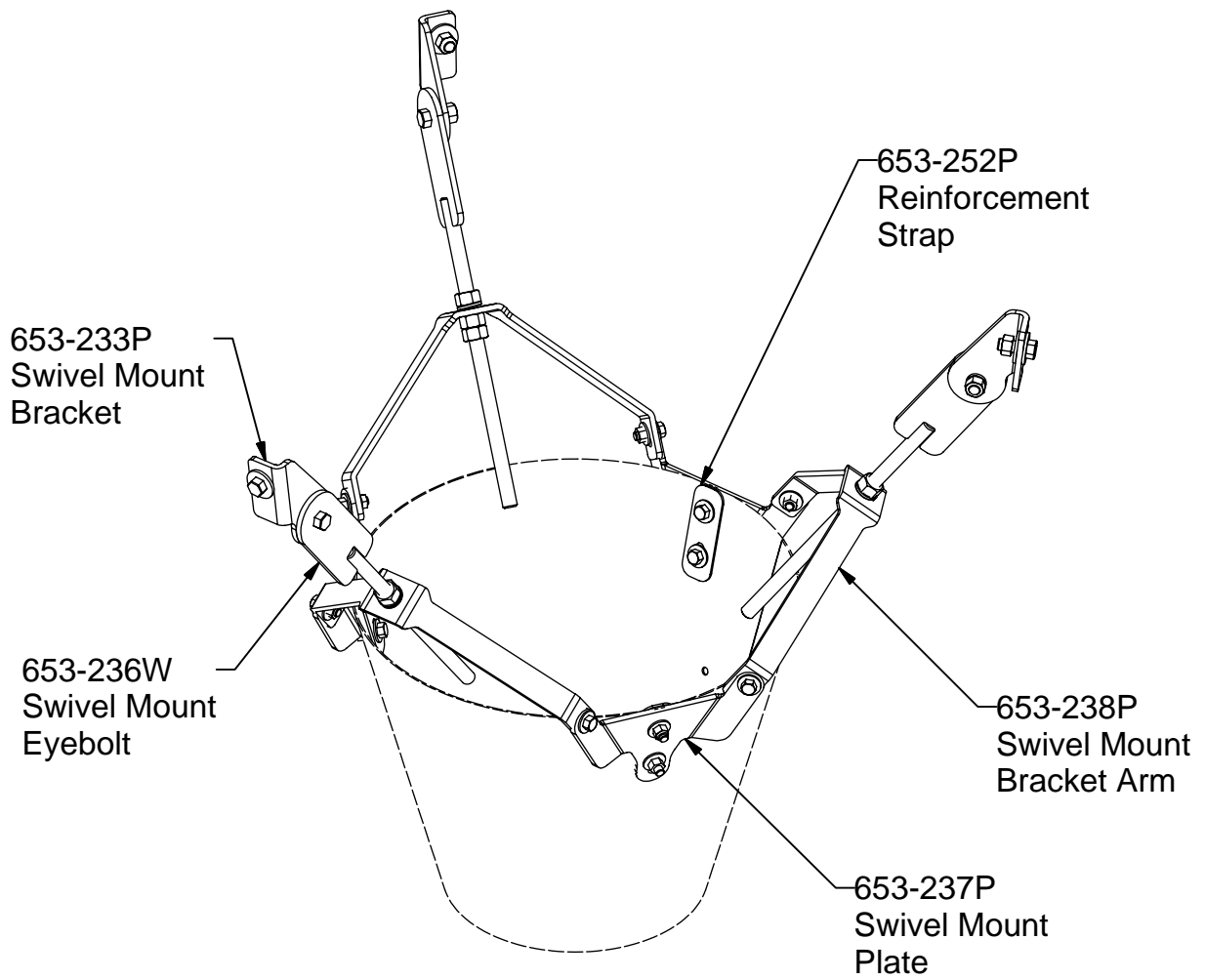


# MAIN ASSEMBLY INDEX

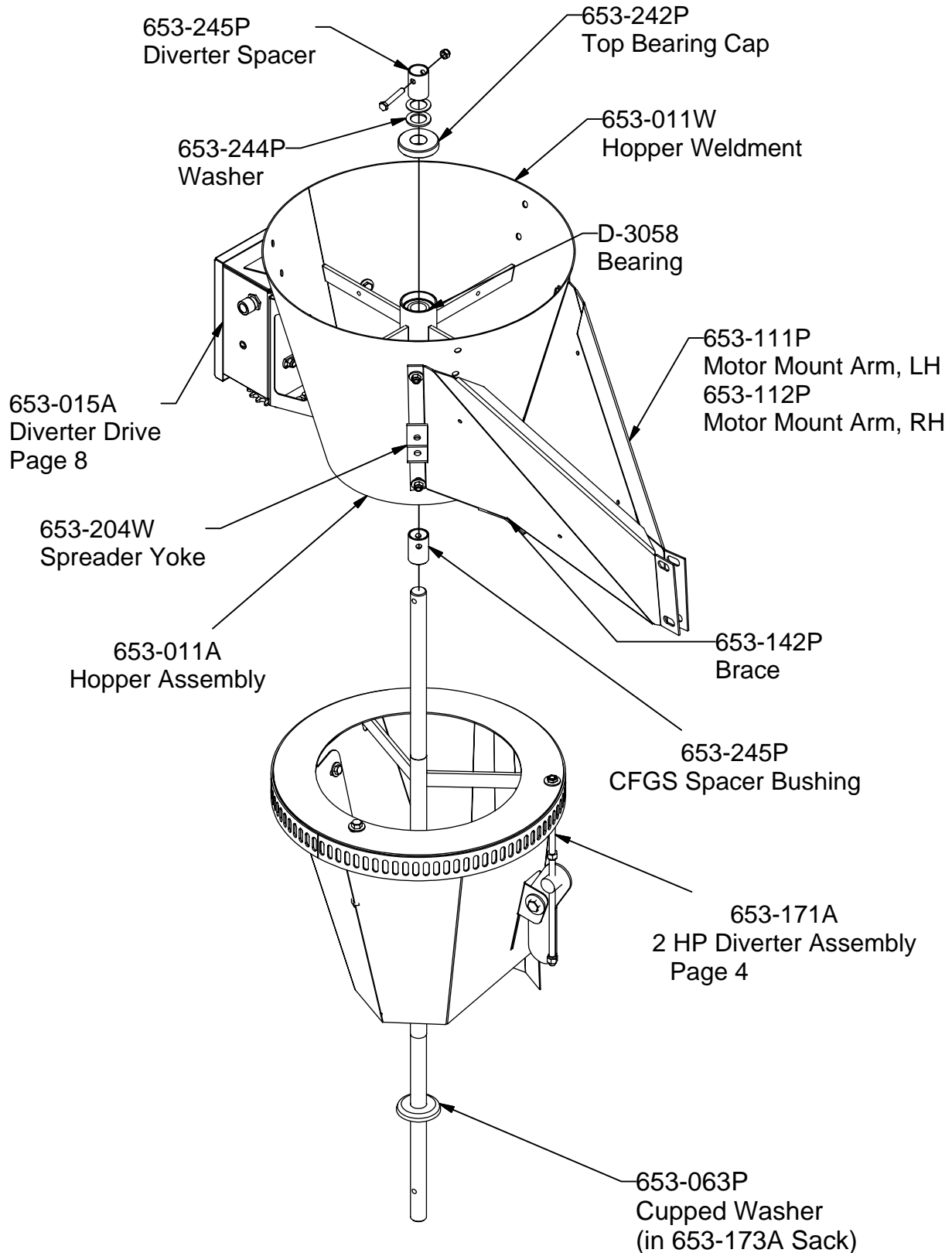


SWIVEL MOUNT KIT  
653-241A  
(Shipped in 653-179A Box)

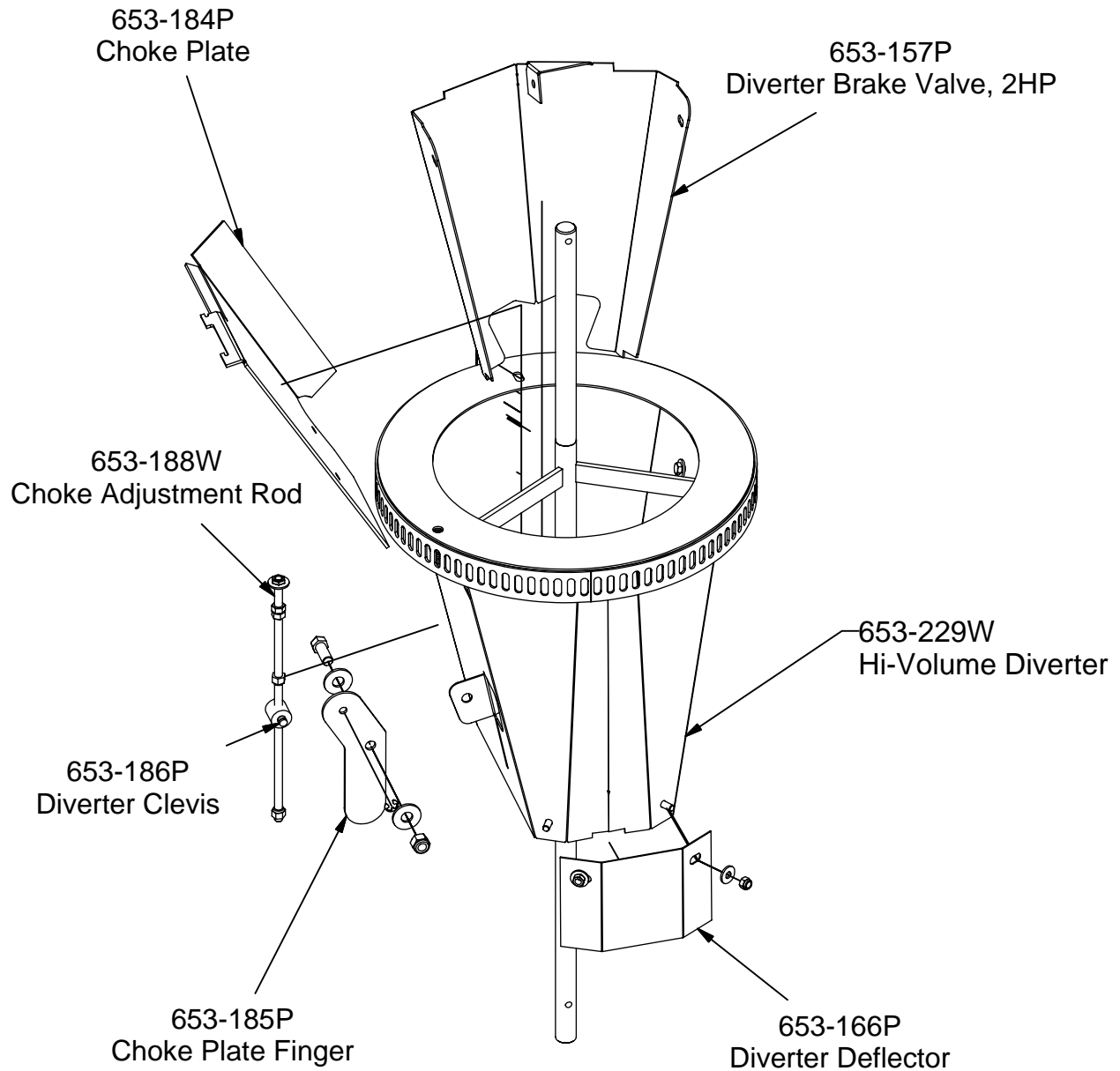
653-241A replaces  
653-094A.



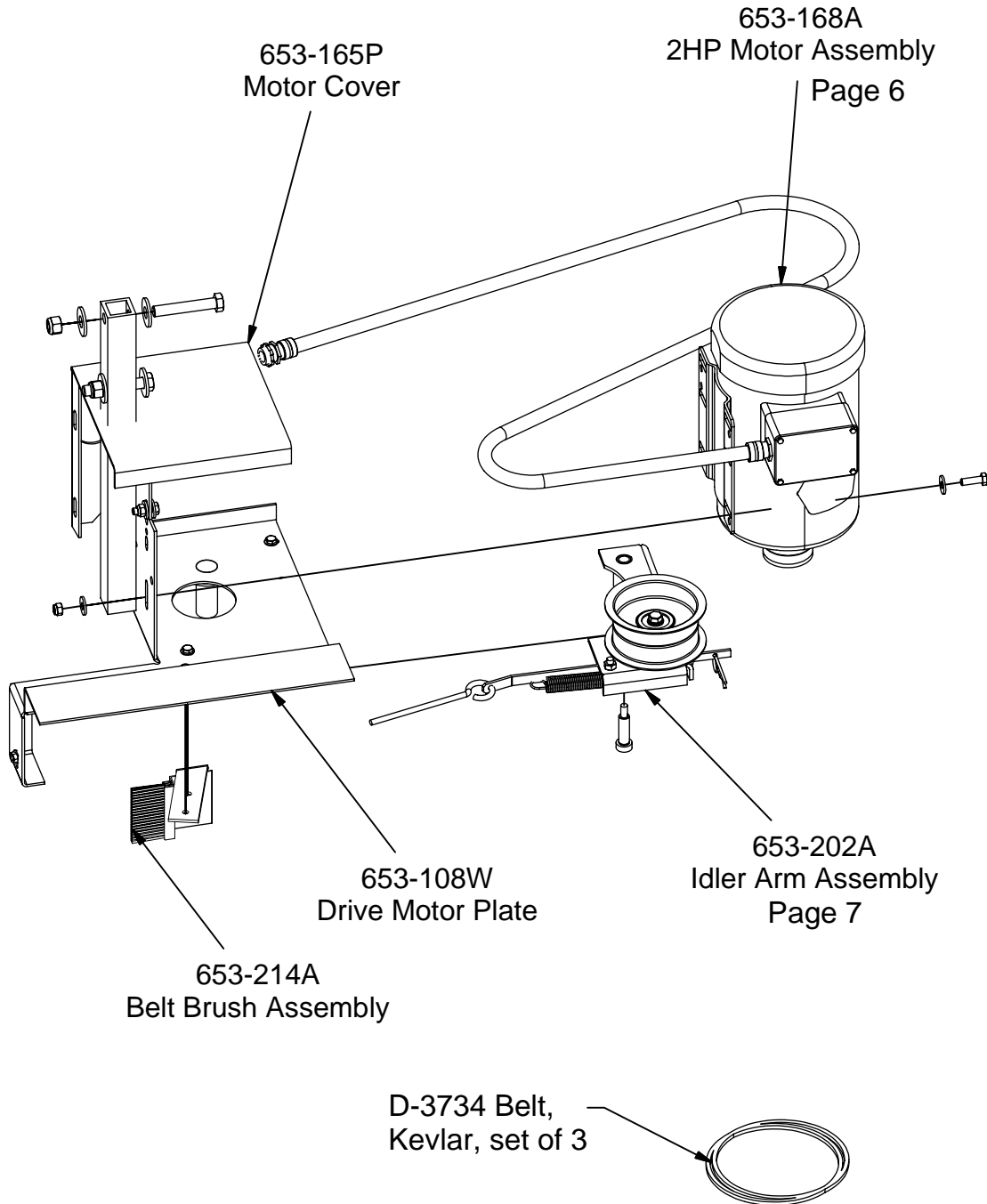
# HOPPER DIVERTER ASSEMBLY 653-208A



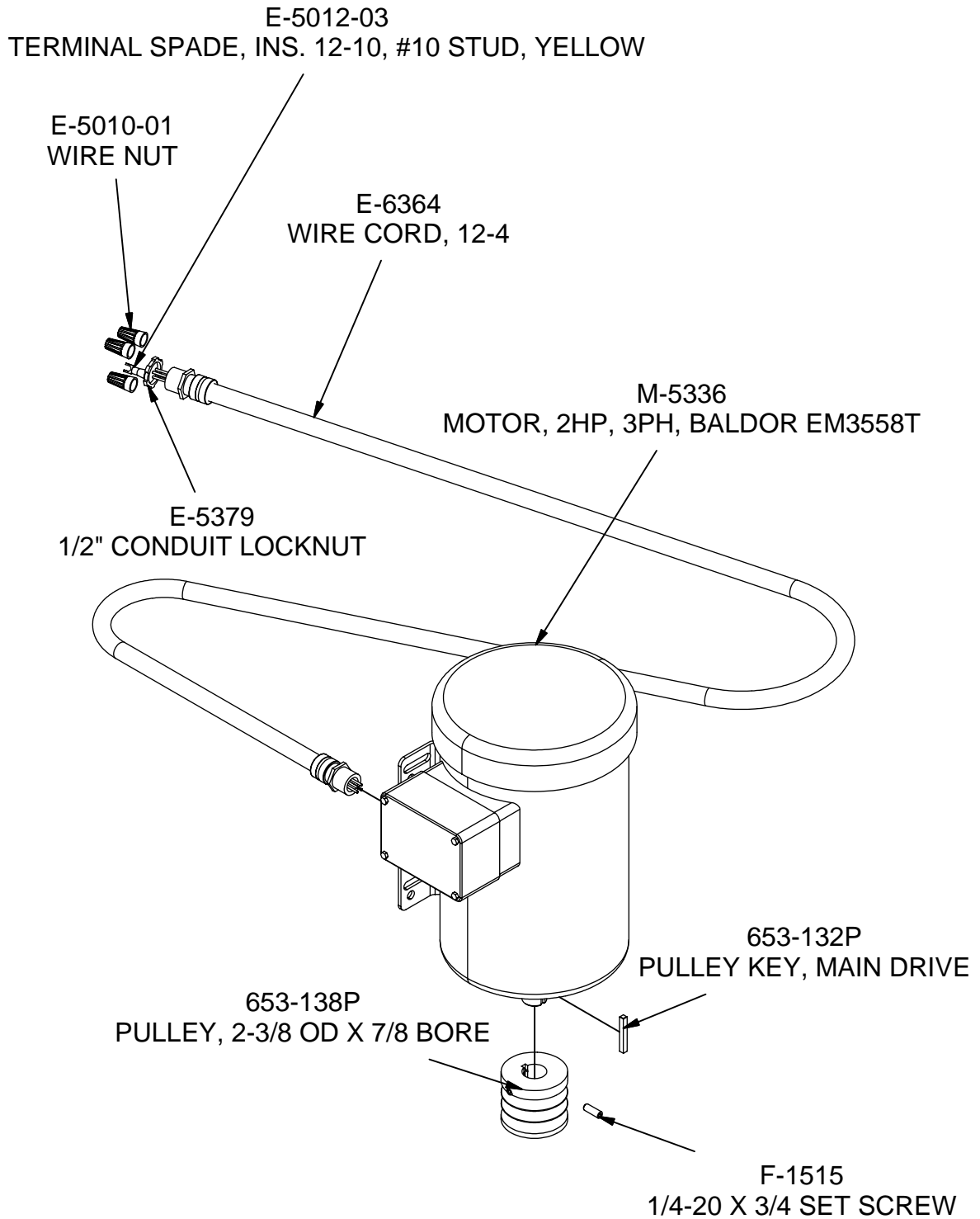
# DIVERTER HOPPER ASSEMBLY 653-171A



# MAIN DRIVE ASSEMBLY 653-169A

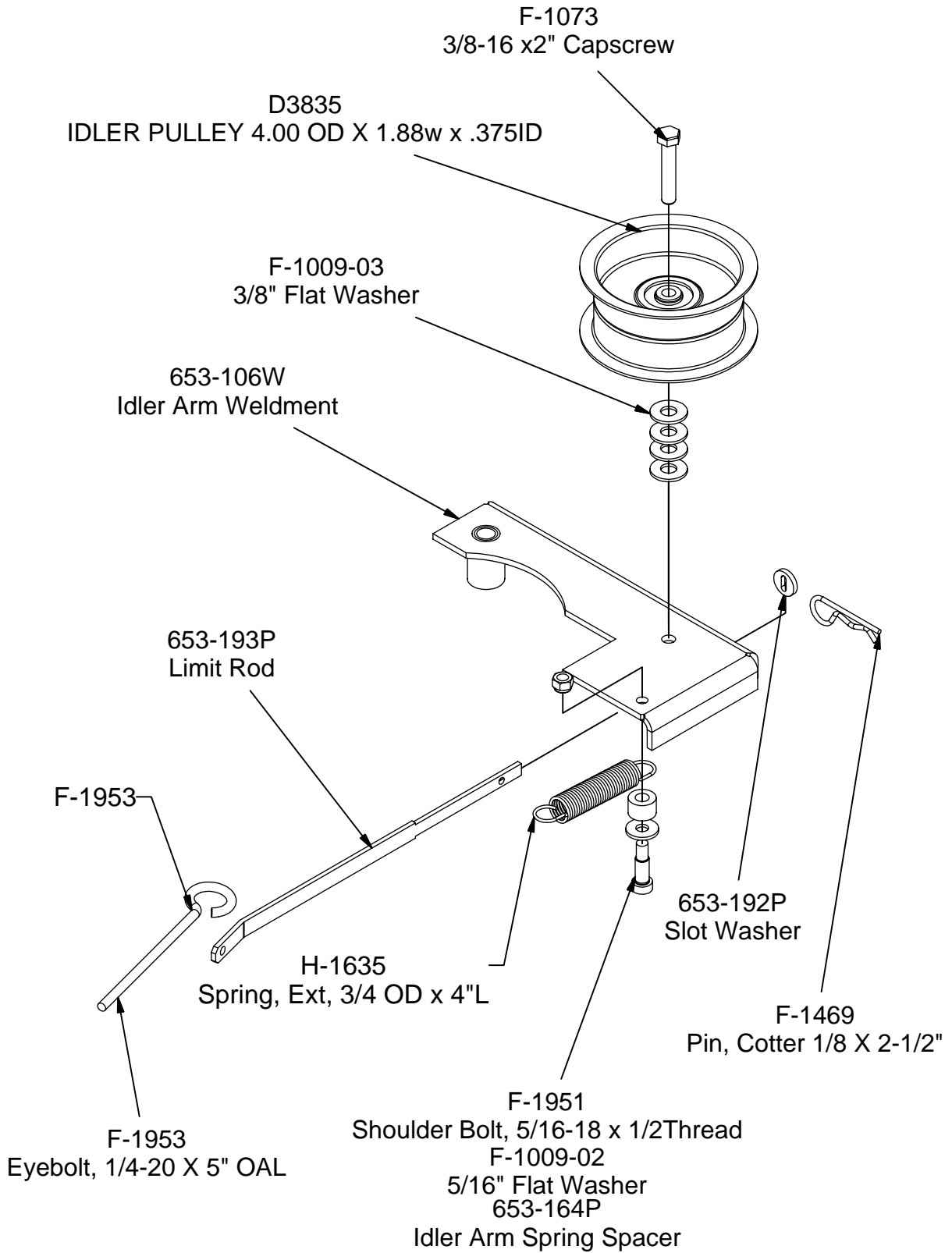


# 2HP MOTOR ASSEMBLY 653-168A

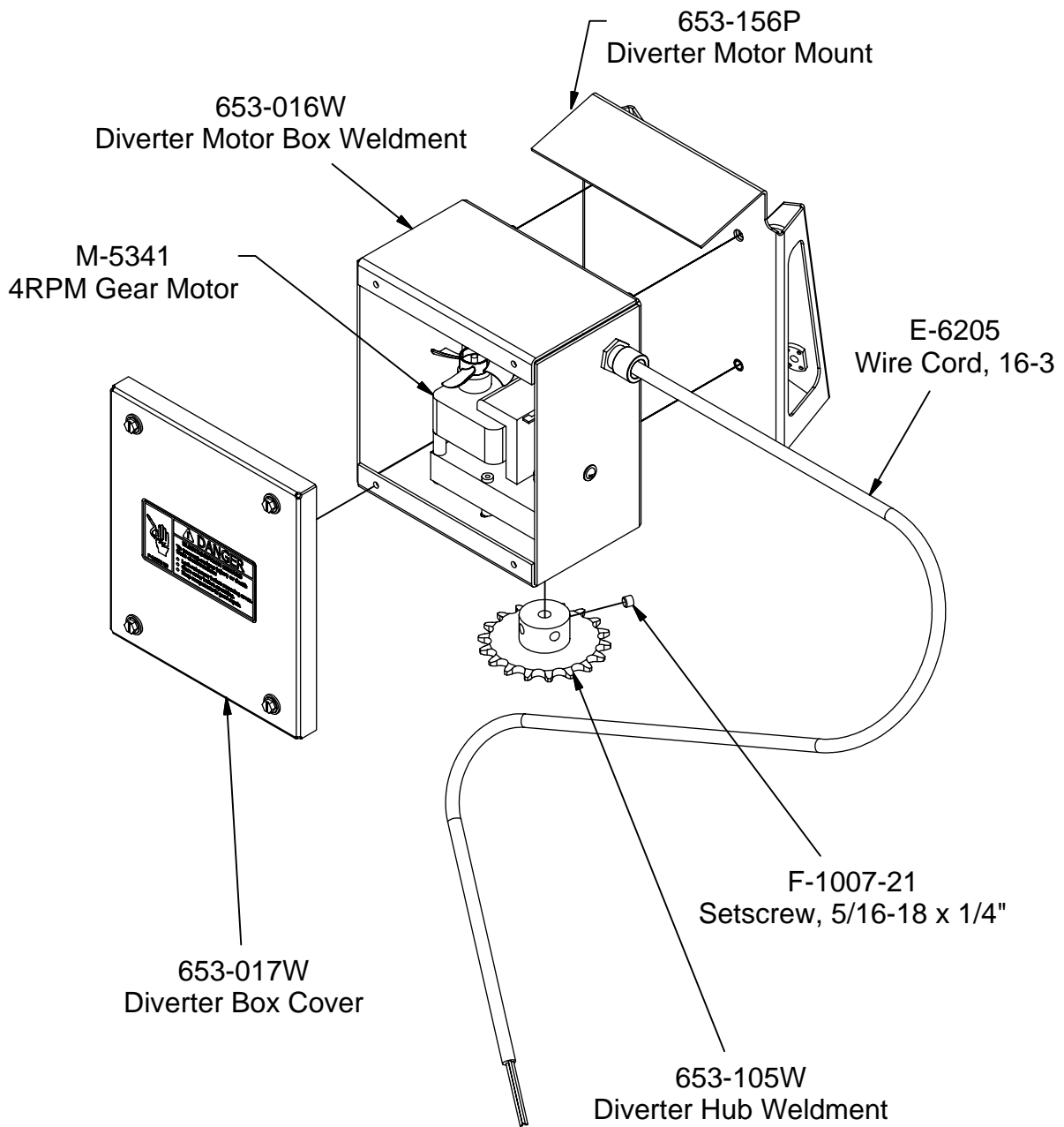




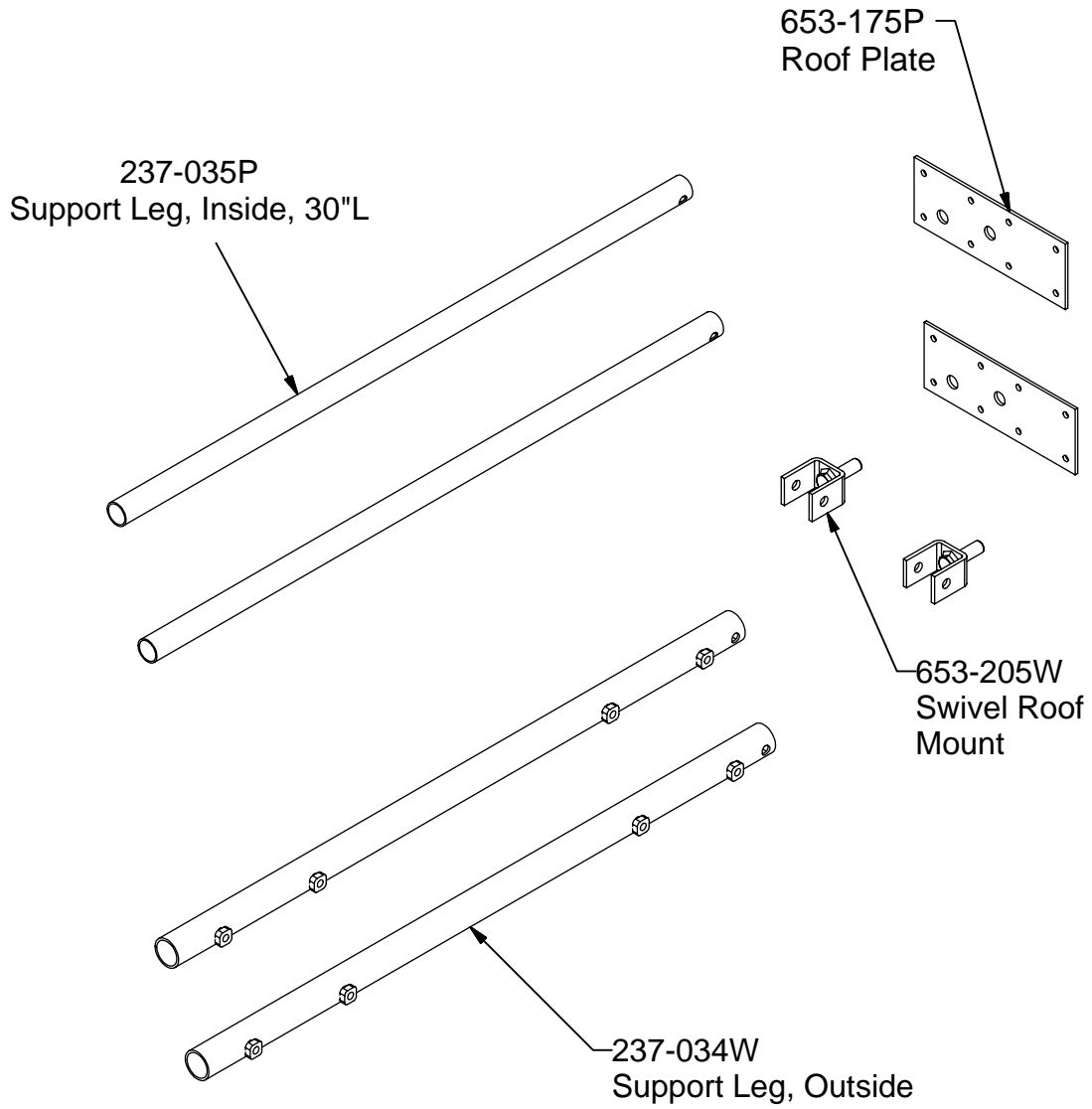
# IDLER ARM SUB-ASSEMBLY 653-202A



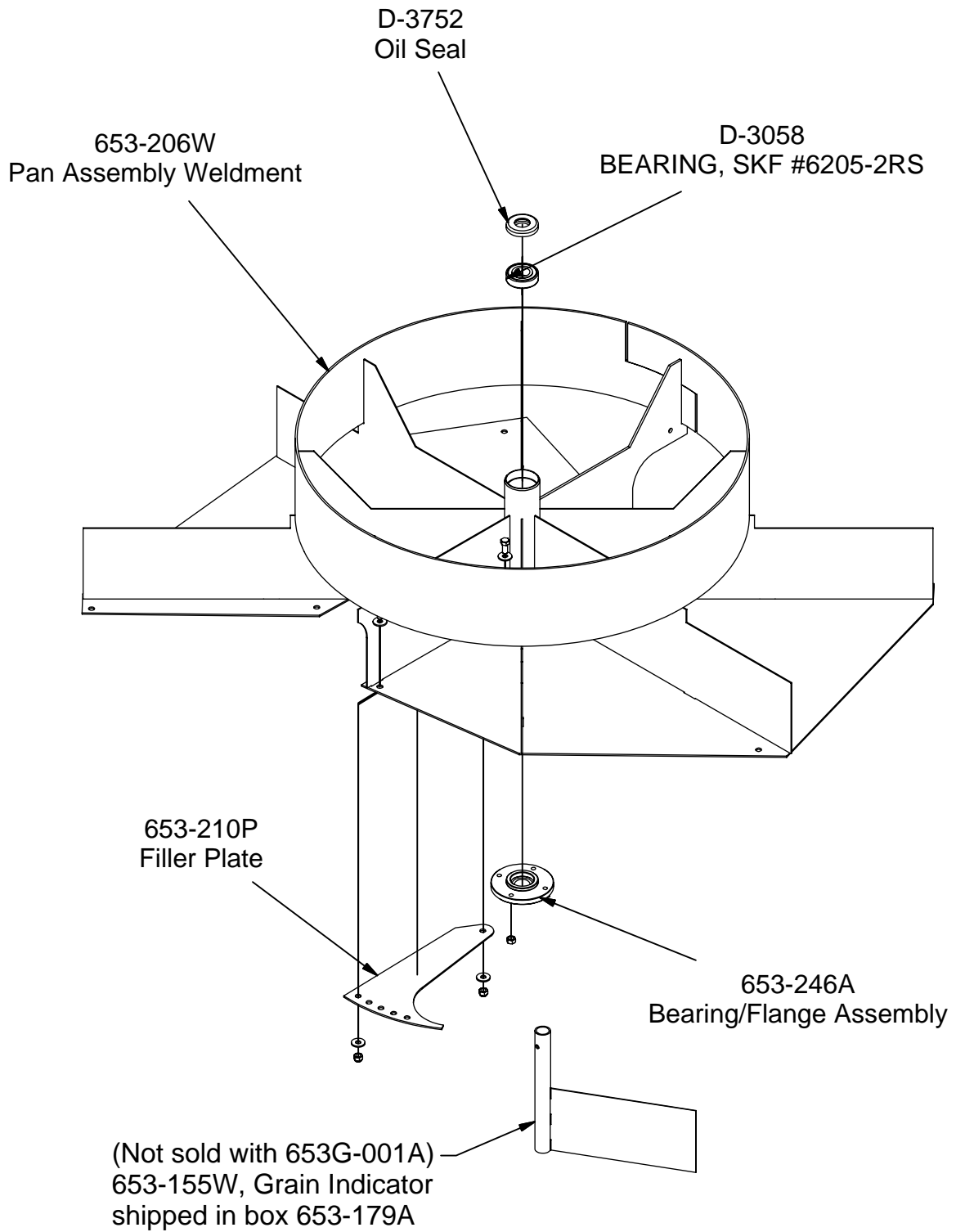
# 653-015A DIVERTER DRIVE ASSEMBLY



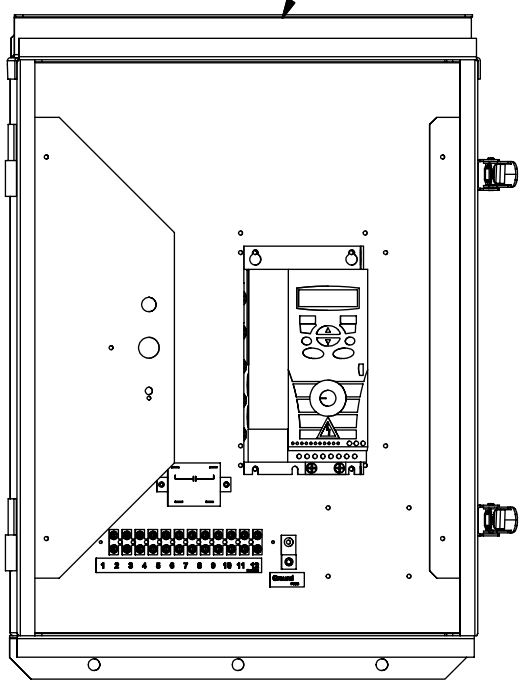
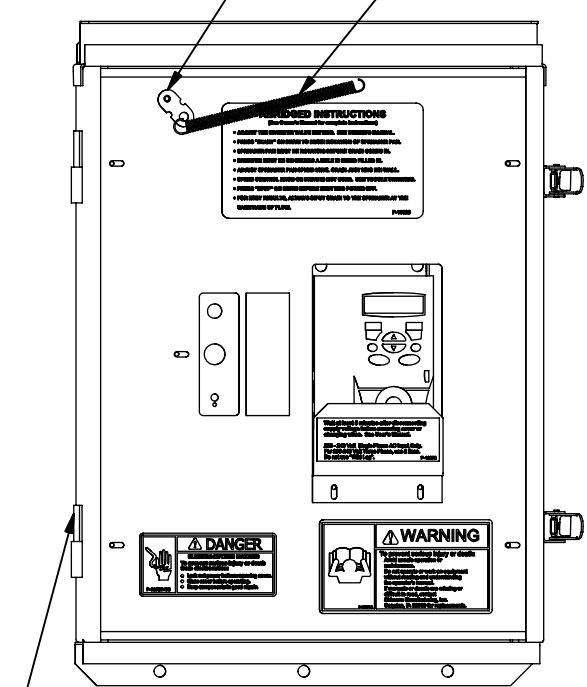
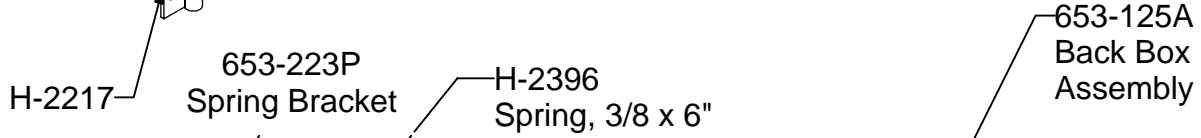
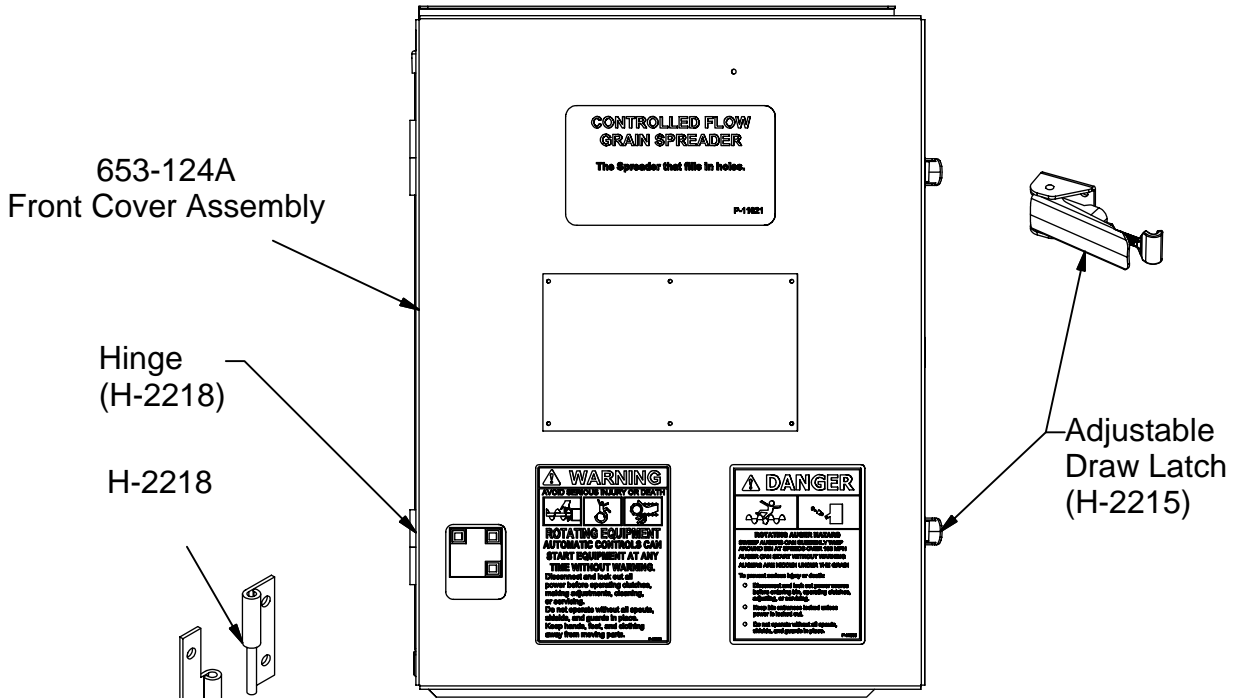
BRACE MOUNT KIT  
653-039A  
(Shipped in 653-179A box)



# PAN ASSEMBLY 653G-001A



653F-001A  
CONTROL BOX ASSEMBLY 653-133A

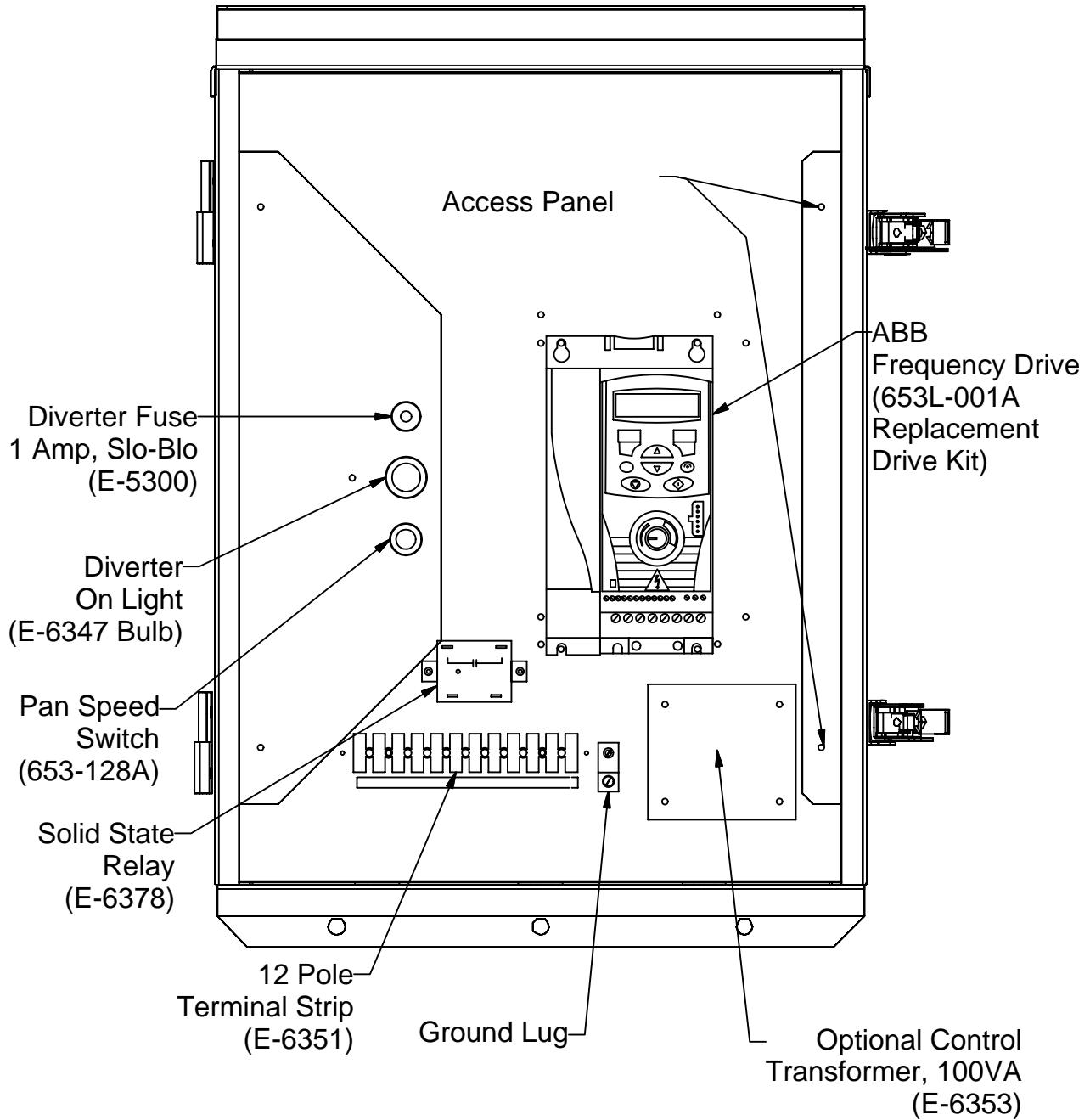


Hinge  
(H-2217)

# IDENTIFICATION OF PARTS

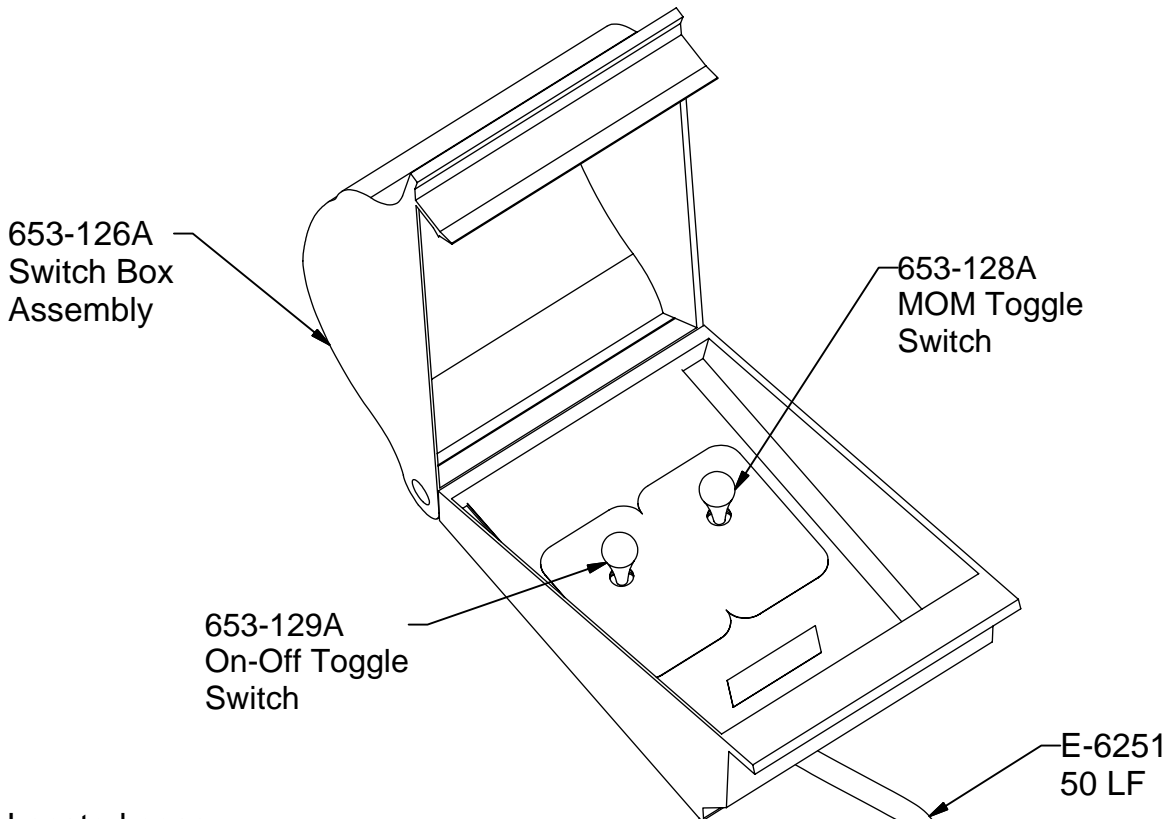
## (ELECTRICAL CONTROL BOX for ABB DRIVE)

(Started January 2013)



REPLACE MVX9000 (BLACK) WITH  
653K-001A (ABB DRIVE CONVERSION KIT)

# IDENTIFICATION OF PARTS (SWITCH BOX, 653-126A)



Located near  
manhole. Use to  
adjust spreader  
pan speed and to  
turn diverter on  
and off.

