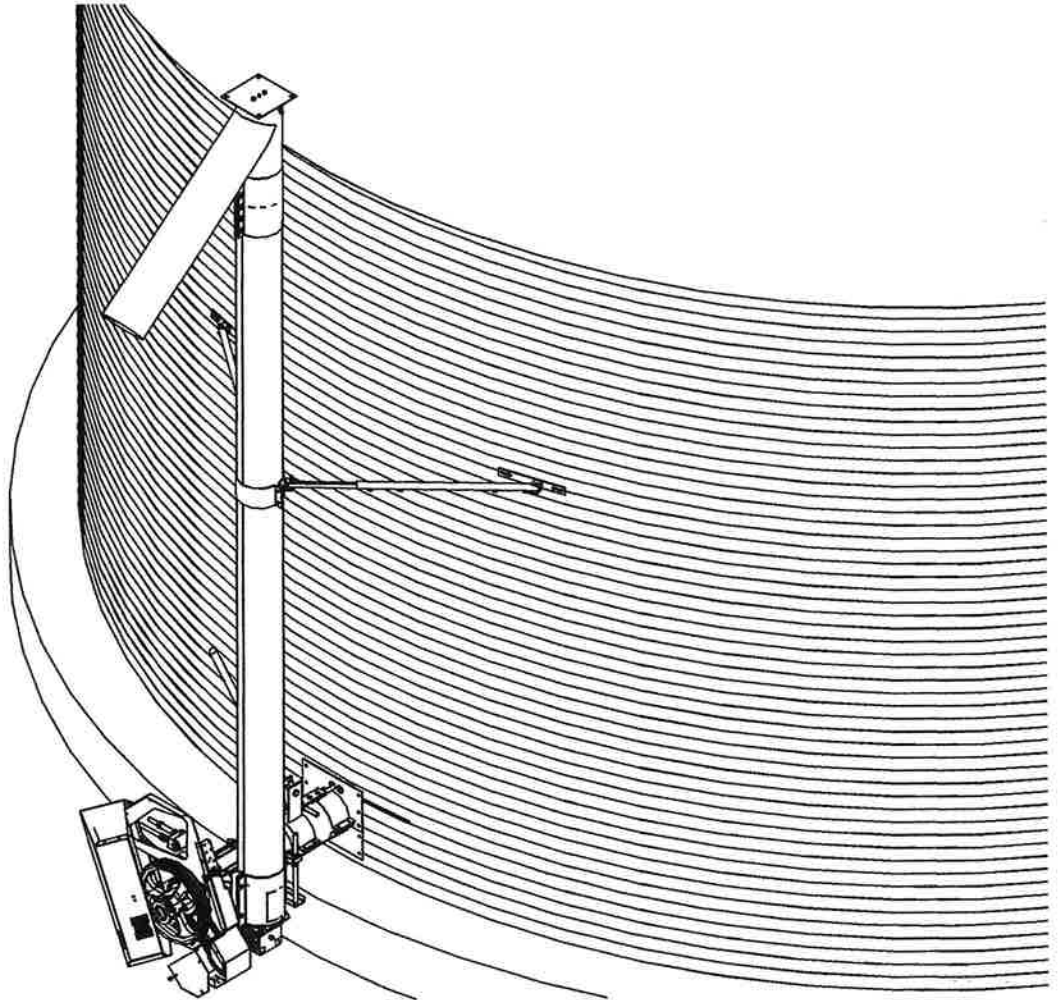


SHIVERS

INSTALLATION INSTRUCTIONS



for

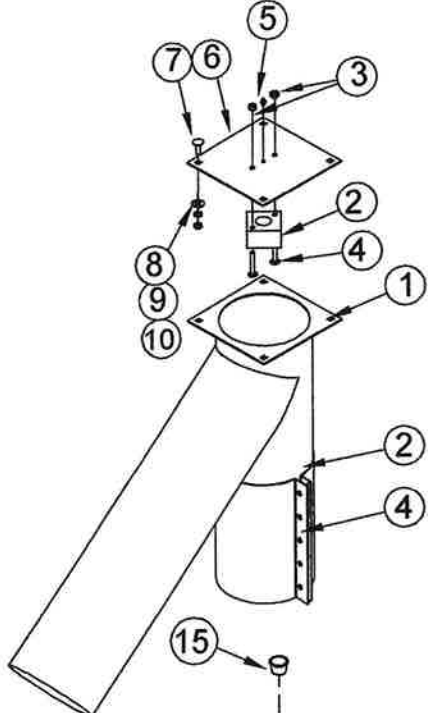
Outside Vertical Unloader Assembly (Bottom Drive)

SHIVERS MFG, INC
614 W. English Street
Corydon, Iowa 50060
Ph. (641) 872-1005 Fax (641) 872-1593
www.shivers.com

P-10649
05/20/2011

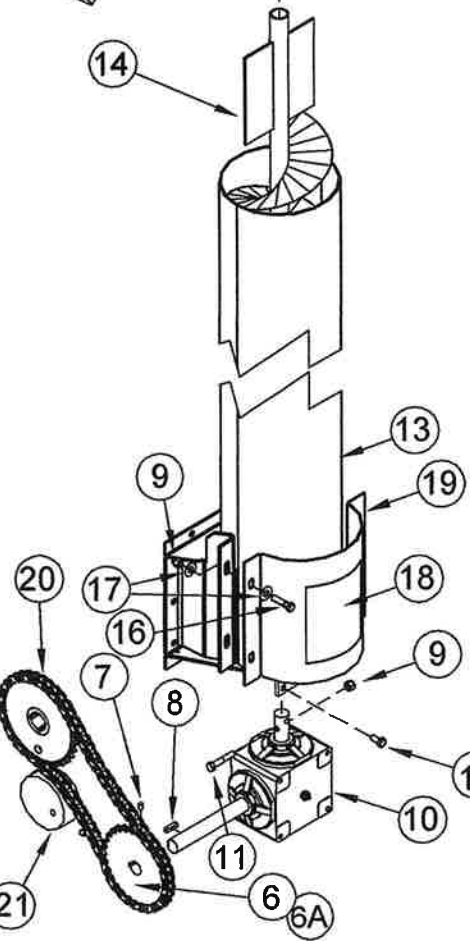
Outside Vertical Assembly (Bottom Drive)

6" VERTICAL DOWNSPOUT ASSY. (235A-001A)
8" VERTICAL DOWNSPOUT ASSY. (243A-001A)



ITEM	DESCRIPTION	QTY	PART NO.
1	6" Downspout Wldt. 8" Downspout Wldt.	1	235-009W 243-007W
2	Plastic Bearing	1	235-005P
3	Nut, Hex, 5/16-18 Nyloc	2	F-1005-02
4	Carriage Bolt, 5/16-18 X 2-1/4	2	F-1707
5	Fitting, Grease, 1/4-28 Self Tap	1	H-1056
6	Bearing Plate, 8" VU	1	243-008P
7	Carriage Bolt, 3/8-16 x 1"	4	F-1274
8	Washer, 3/8	4	F-1009-03
9	Lockwasher, 3/8	4	F-1019-03
10	Nut, 3/8-16	4	F-1011-03

6" VERTICAL UNLOADER ASSY. (234A-001A)
8" VERTICAL UNLOADER ASSY. (242A-001A) (14')
8" VERTICAL UNLOADER ASSY. (242D-001A) (18')

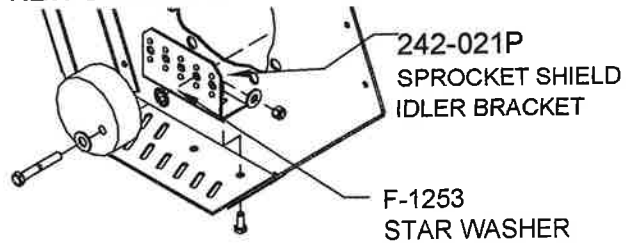


ITEM	DESCRIPTION	QTY	PART NO.
6	Sprocket, 29T, 1" Bore #50 Chain	1	D-3363
6A	Sprocket, 21T (before 1985)	1	D-3007-01
7	Setscrew, Socket HD, 5/16-18 X 3/8	2	F-1007-22
8	Square Key, 1/4 X 1"	1	234-002P
9	Locknut, Hex, 3/8-16 w/ Nyloc	6	F-1239
10	Vert. Unload GB w/ 19T & 14T Gears	1	248C-001A
11	Capscrew, Hx, 3/8-16 X 2	2	F-1073
12	Capscrew, Hx, 3/8-16 X 3/4	4	F-1015-23
13	6" Vert. Trans. 90° WLDT. 8" Vert. Trans. 90° WLDT. (14') 8" Vert. Trans. 90° WLDT. (18')	1	234-015W 242-008W 242-030W
14	6" Vert. Auger WLDT. 8" Vert. Auger WLDT. (14') 8" Vert. Auger WLDT. (18')	1	234-006W 242-009W 242-027W
15	Plug, Plastic, Red, Low Density	1	H-9007-01
16	Capscrew, Hx, 3/8 X 1-1/2	4	F-1015-27
17	Washer, Flat, 3/8"	8	F-1009-03
18	Decal, Warning - Rot. Equipment	1	P-10223
19	8" TA Halfband	1	671-017P

IN PARTS BOX (Not Included w/ Assy)

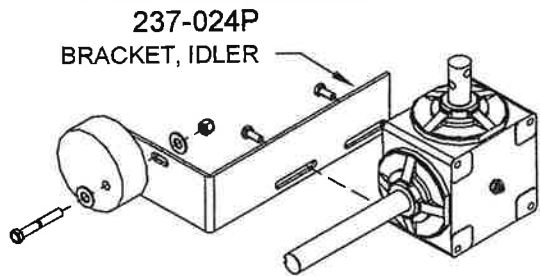
20	#50 Roller Chain 57 Link Sack #50 Roller Chain 7 Links Sack (8" only)	1 2	237-003A 244-003A
21	Ø4" Plastic Idler Block	1	237-025P

NEW STYLE IDLER BRACKET



NOTE: BOTH IDLER BRACKETS USE HARDWARE FROM 242-022A HARDWARE SACK.

OLD STYLE IDLER BRACKET



Installing Outside Vertical (Bottom Drive with Extension)

Installing Vertical Unload Extension (if used). (If extension is not used, go to next page.)

Remove (2) 3/8-16 X 2" capscrews and (2) 3/8-16 locknuts from Gearbox shaft and Flite Weldment. Remove Top Plate and bearing. Pull fliting out through top and attach 4' Extension Flite (#5) to bottom of Flite Weldment using same capscrews and nuts. Be sure the fliting is timed between the two sections (See Note).

Slide fliting assembly back into Vertical Transition Weldment and reattach to Gearbox shaft with (2) 3/8-16 X 2" capscrews and (2) 3/8-16 locknuts, provided with the Extension Kit.

Slide Sleeve (#7) provided in the Extension Kit over Vertical Transition Weldment.

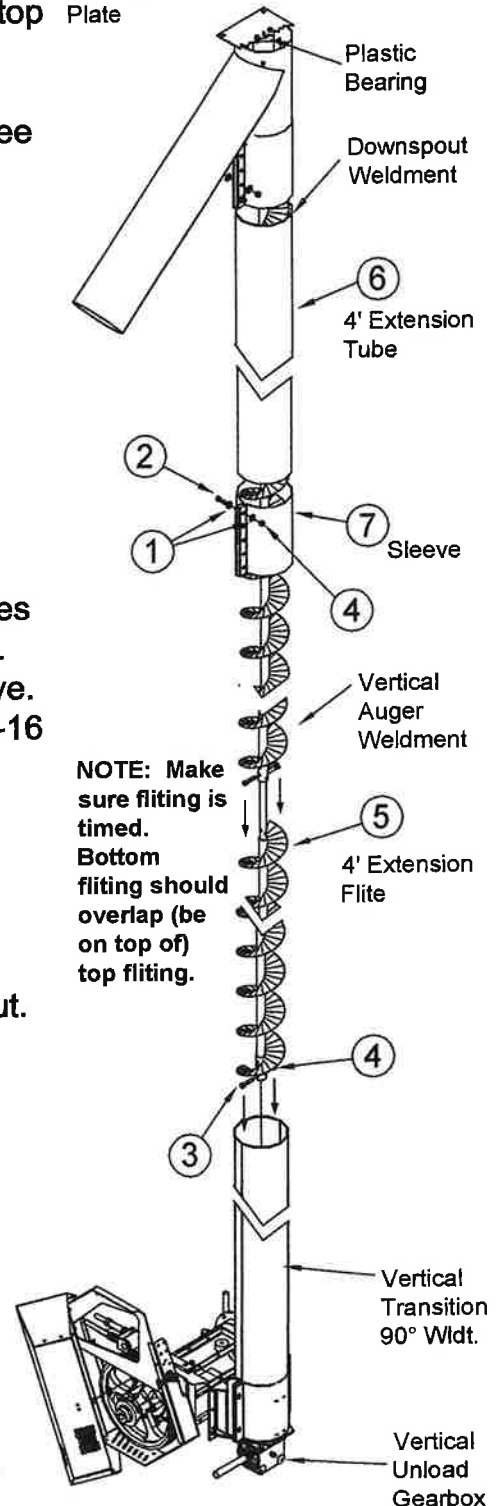
Slide 4' Extension Tube (#6) over fliting and butt up against Vertical Transition Weldment. Seam of the tubes should be centered with middle (3rd) hole in the sleeve. Use hardware included in Extension Kit to secure Sleeve. There should be (5) 3/8-16 X 1-1/2" capscrews, (5) 3/8-16 locknuts, and (10) 3/8" flat washers.

Slide Downspout Weldment over assembled Vertical Unloader so that the tubes are butted up against each other. Use Hardware from 237-013A Vert. Downspout Sack in parts box to secure Sleeve on Downspout Weldment. Fasten Top Plate and Bearing to downspout.

6" VERTICAL UNLOADER EXTENSION (234B-001A)
8" VERTICAL UNLOADER EXTENSION (242C-001A)

ITEM	DESCRIPTION	QTY	PART NO.
1	Washer, Flat, STD, Steel 3/8"	10	F-1009-03
2	Capscrew, Hx, 3/8-16 X 1-1/2	5	F-1015-27
3	Capscrew, Hx, 3/8-16 X 2	2	F-1073
4	Locknut, Hex, 3/8-16 w/ Nyloc	7	F-1239
5	6" Ext. Flite Weldment, 4' Long	1	234-016W
	8" Ext. Flite Weldment, 4' Long		242-017W
6	6" Tube, 48" Long	1	234-019P
	8" Tube, 48" Long		242-019P
7	6" Sleeve	1	272-005P
	8" Sleeve		243-006P

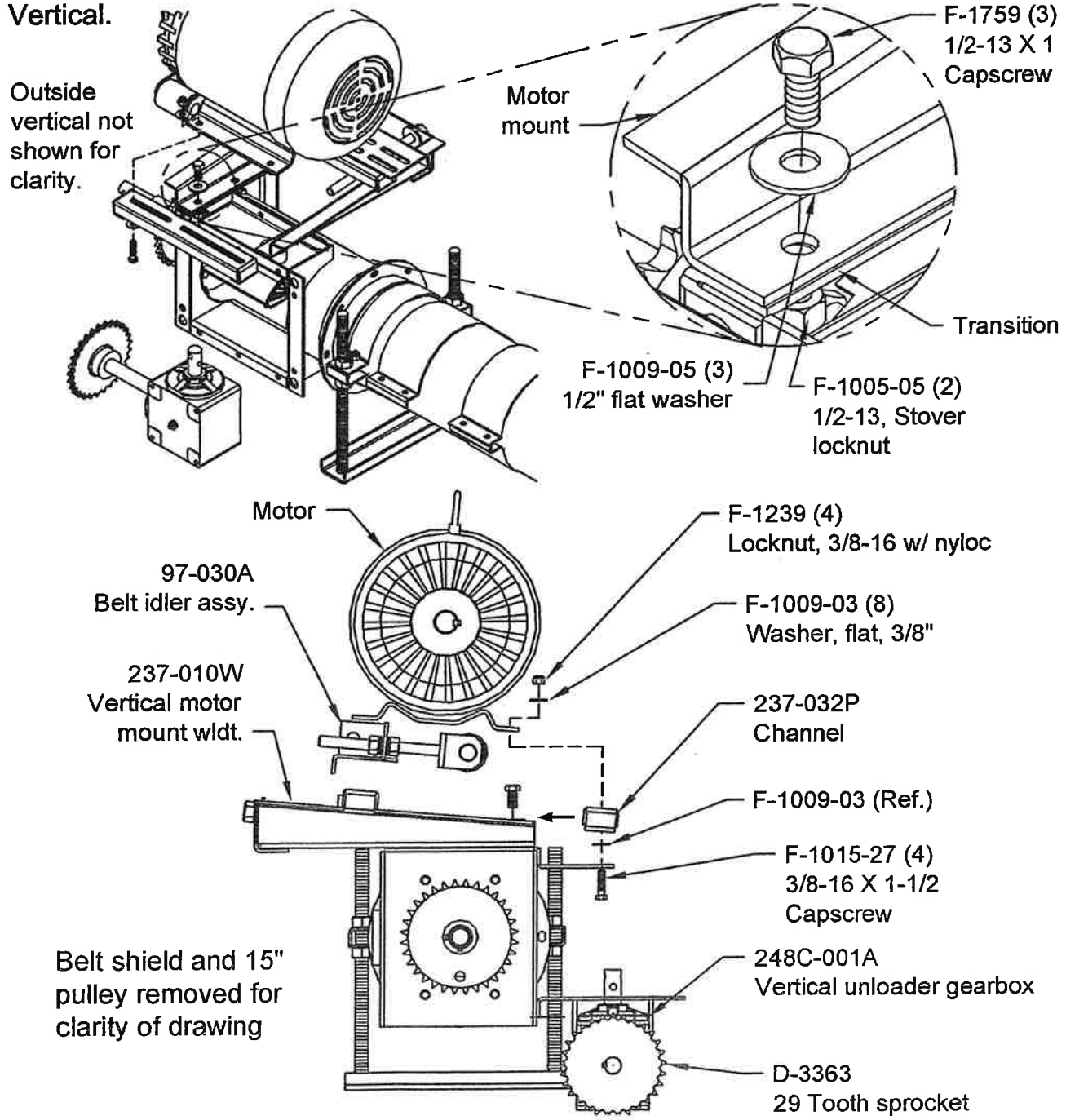
NOTE: Make sure flite shaft goes into Plastic Bearing in Top Plate



Installing Outside Vertical (Bottom Drive)

Mounting motor with outside vertical, side discharge.

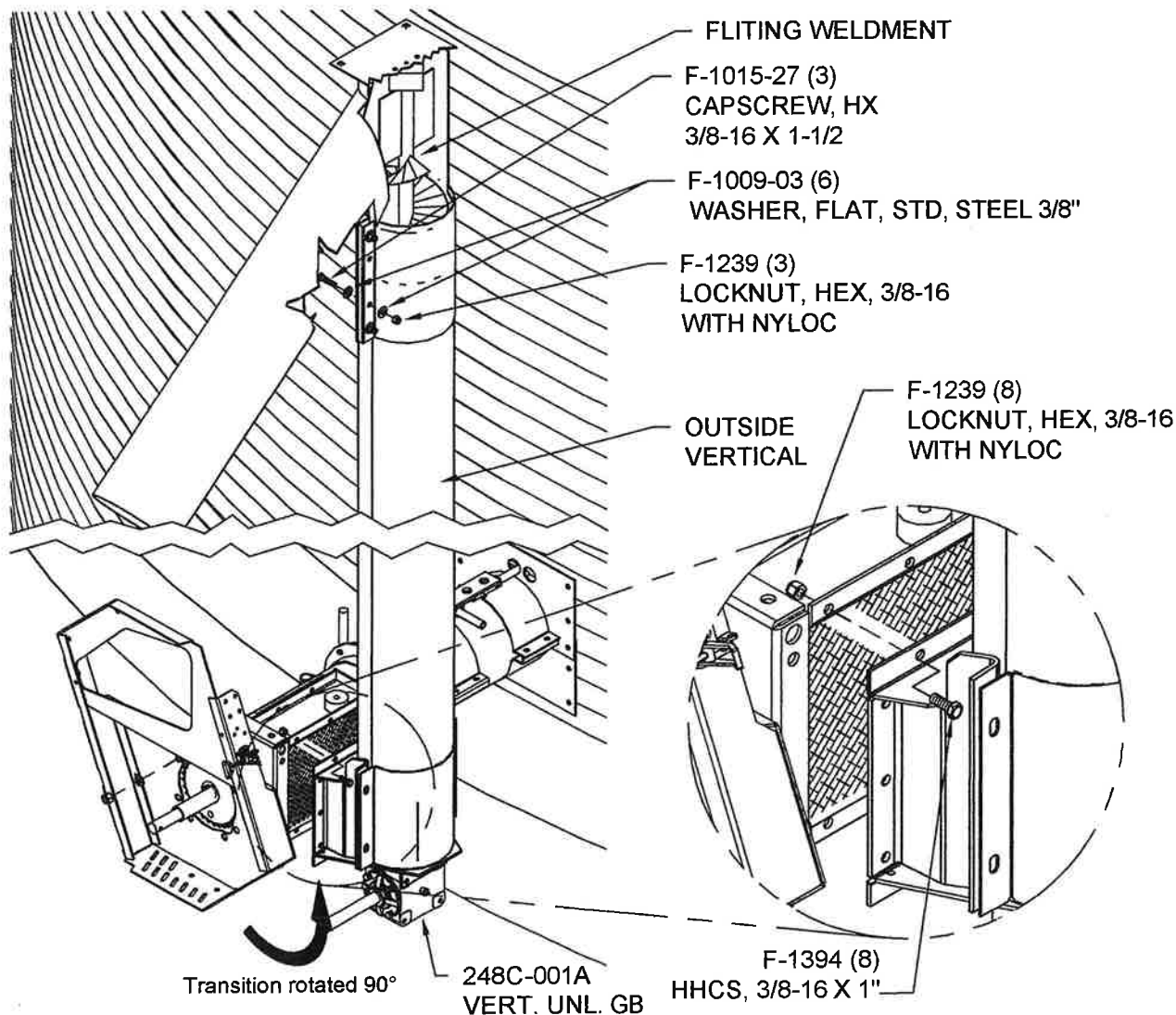
Slide channel (237-032P) onto motor mount weldment (237-010W). Use hardware from vertical motor mount sack (237-015A) to attach motor mount to transition and to attach belt idler and motor to motor mount, as shown. If Horizontal Unloader was originally set up for a straight down discharge, the motor mount will need to be changed and the transition will need to be rotated 90° to accommodate the Outside Vertical.



Installing Outside Vertical (Bottom Drive)

With an outside vertical, the horizontal unload tube is rotated 90° to discharge to the side into the vertical. It may be easier to rotate the horizontal unload tube so the discharge opening is facing up, then bolt the vertical auger to it using hardware from 90° Transition Sack, 237-014A. Then rotate the vertical auger upward. If using a hanger bearing horizontal unload, make sure the hangers are straight up when assembly is complete. Attach the downspout to the vertical auger using hardware from Vertical Downspout Sack, 237-013A, as shown. Make sure the vertical auger fliting goes into the plastic bearing at the top of the downspout. To replace the top bearing, remove Top Plate with Plastic Bearing attached. The bottom halfband can be removed to clean out the bottom portion of the auger or to access the fliting connection. To replace Auger, remove bolts at bottom of auger and remove Top Plate with Bearing. Slide Auger through top opening. **ALWAYS FOLLOW SAFETY DECAL WARNINGS AND LOCKOUT PROCEDURES.**

SPOUT SHOWN WITH CUTOUTS FOR VISIBILITY OF HARDWARE

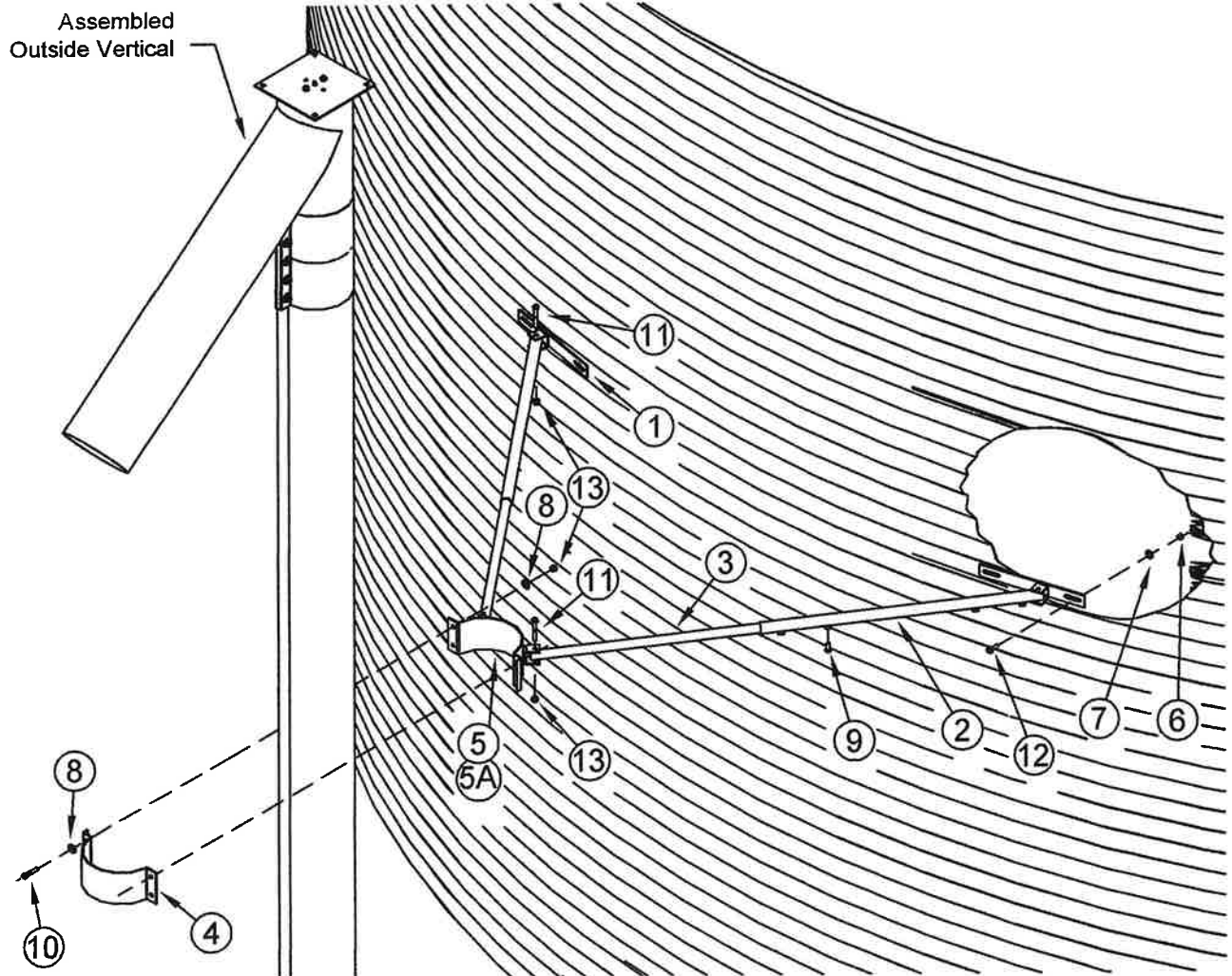


Installing Outside Vertical (Bottom Drive)

Installing Support Legs

After the whole Outside Vertical is assembled, the telescoping support legs can be attached to the Outside Vertical Tube, as shown. Once that is complete, rotate the unit into position. If using a hanger bearing horizontal unload, make sure the hangers are straight up when assembly is complete. Use temporary supports under the assembly until all support legs are secured to bin wall.

ITEM	DESCRIPTION	QTY	PART NO.	ITEM	DESCRIPTION	QTY	PART NO.
1	Bracket Weldment, Bin Brace	2	237-005W	A	Sack, Bin Brace	1	237-012A
2	Support Leg Weldment, Outside 30"	2	237-034W	6	Nut, Hex, 5/16-18 UNC-2B Nyloc	4	F-1005-02
3	Support Leg, Inside 30"	2	237-035P	7	Washer, Flat, STD, Steel 5/16"	4	F-1009-02
4	6" Half Band	1	201Z-023P	8	Washer, Flat, STD, Steel 3/8"	8	F-1009-03
	8" Half Band		201B-024P	9	Capscrew, Hx, 3/8-16 X 3/4	4	F-1015-23
5	6" Two Earred Half Band Weldment	1	237-004W	10	Capscrew, Hx, 3/8-16 X 1-3/4	4	F-1015-28
	8" Two Earred Half Band Weldment		244-002W	11	Capscrew, Hx, 3/8-16 X 2-1/2	4	F-1015-30
5A	6" Triple Earred Half Band Weldment		273-009W	12	Bolt, Bin w/ Washer 5/16-18 X 1	4	F-1027-02
	8" Triple Earred Half Band Weldment		397-002W	13	Locknut, Hex, 3/8-16 w/ Nyloc	8	F-1239



Installing Outside Vertical (Bottom Drive)

Follow instructions from P-11875 supplied with the belt shield for cutting out belt shield back and installing sprocket shield for bottom drive outside vertical chain. Align sprockets and install chain idler and chain for outside vertical. Note: the external star washer, F-1253, is installed between 242-021P (idler bracket) and 237-025P (chain idler) to prevent 237-025P from rotating under load.

For standard installations, the hole closest to the chain should provide adequate slack chain take-up. If this does not provide enough take-up, remove a link. In most cases, the UHMW block, 237-025P, should rotate clockwise to tension the chain.

Put on the sprocket shield cover.

