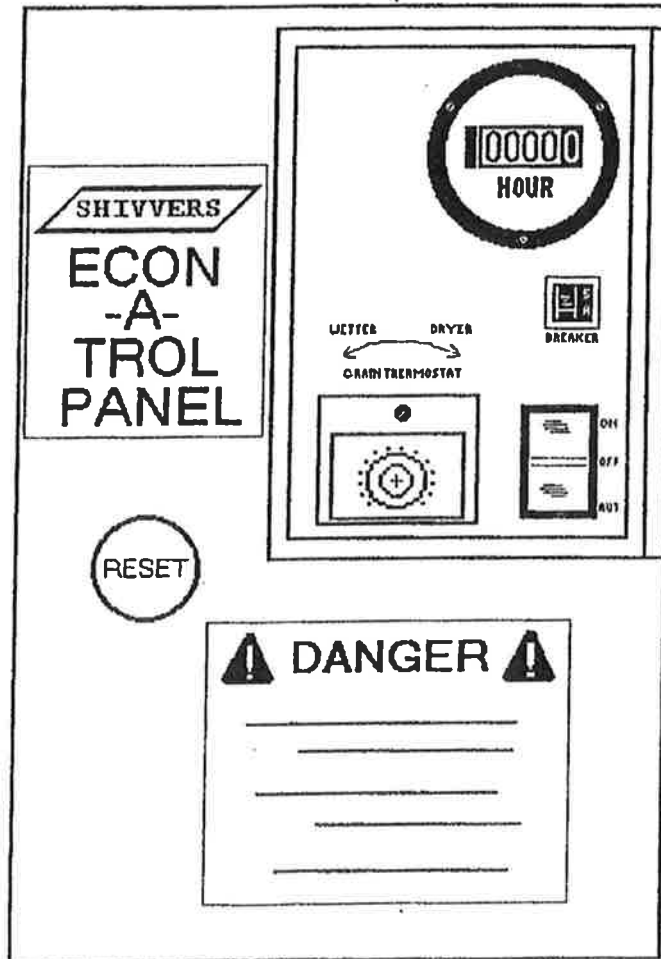


# SHIVERS

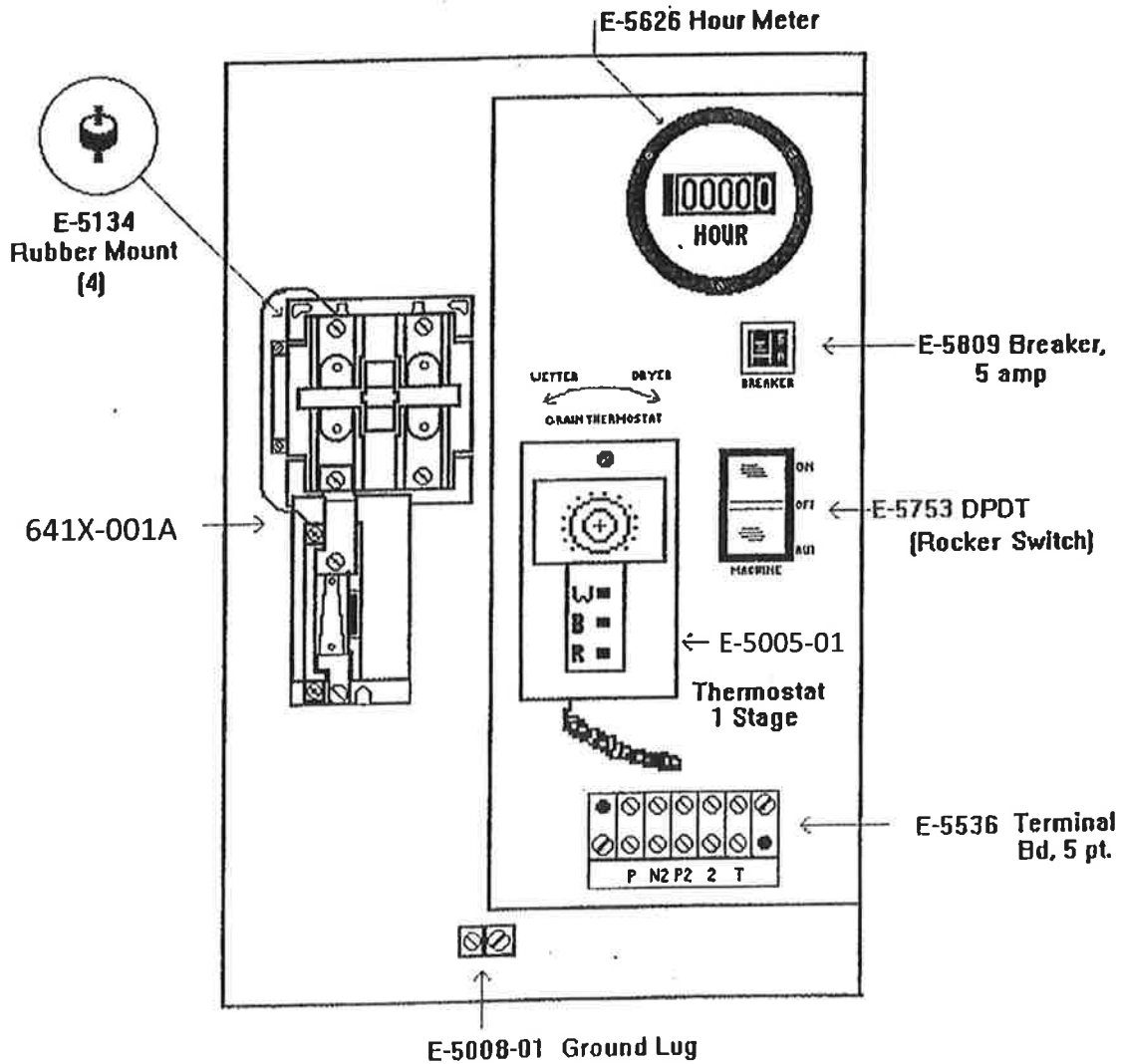
## ECON-A-TROL PARTS MANUAL



Econ-A-Trol, 3 - 5 HP, 1 Phase

ET1P5

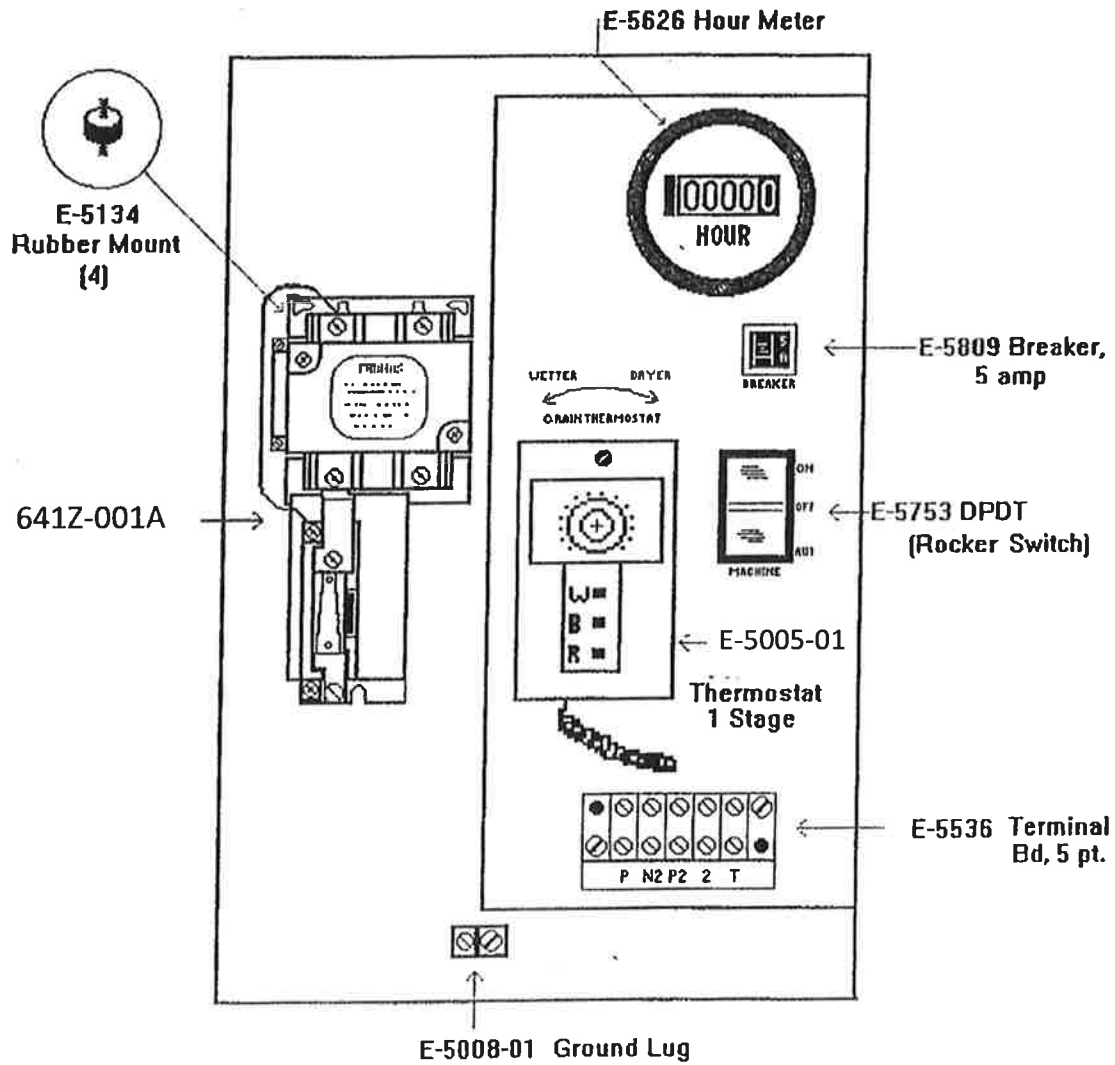
584A-001A



Econ-A-Trol, 7.5 - 10 HP, 1Phase

ET1P10

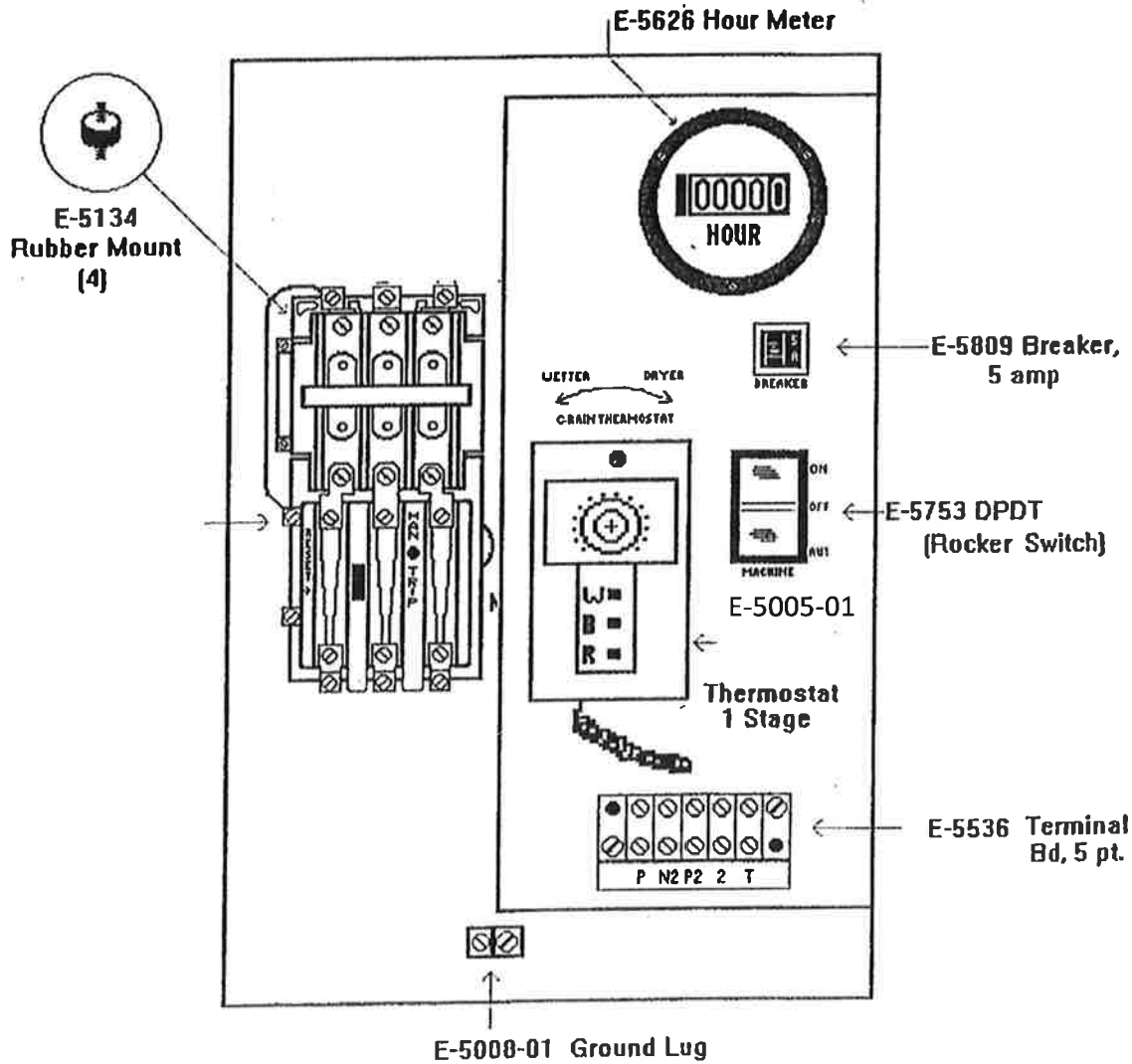
584B - 001A



Econ-A-Trol, 3 - 10 HP, 3Phase

ET3P10

584C - 001A



Shivvers Part #	Contactor # of Poles	Overload Only Part #	Overload Amp Setting	3 PH MOTOR HP			1 PH Motor HP 240V
				208/230V	460V	575V	
641Y-001A (40 Amp Contactor)	4	E-6516	3-12	2	2	3	2
				3	3	5	
					5	7.5	
						10	
641X-001A (40 Amp Contactor)	4	E-6517	10-40	5	7.5	15	3
				7.5	10		5
				10	15		
641Z-001A (60 Amp Contactor)	3	E-6518	25-100	15			7.5
							10
							12.5
							15