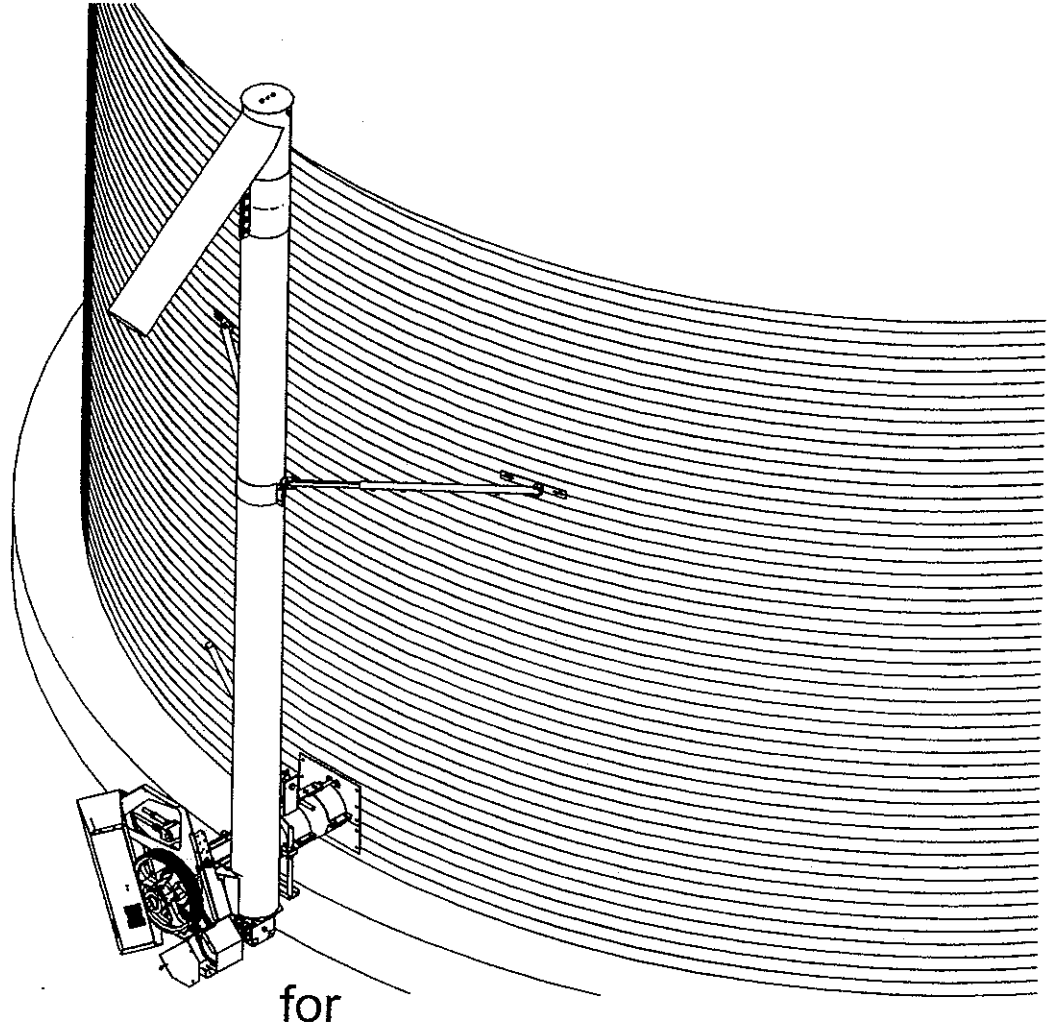




INSTALLATION INSTRUCTIONS



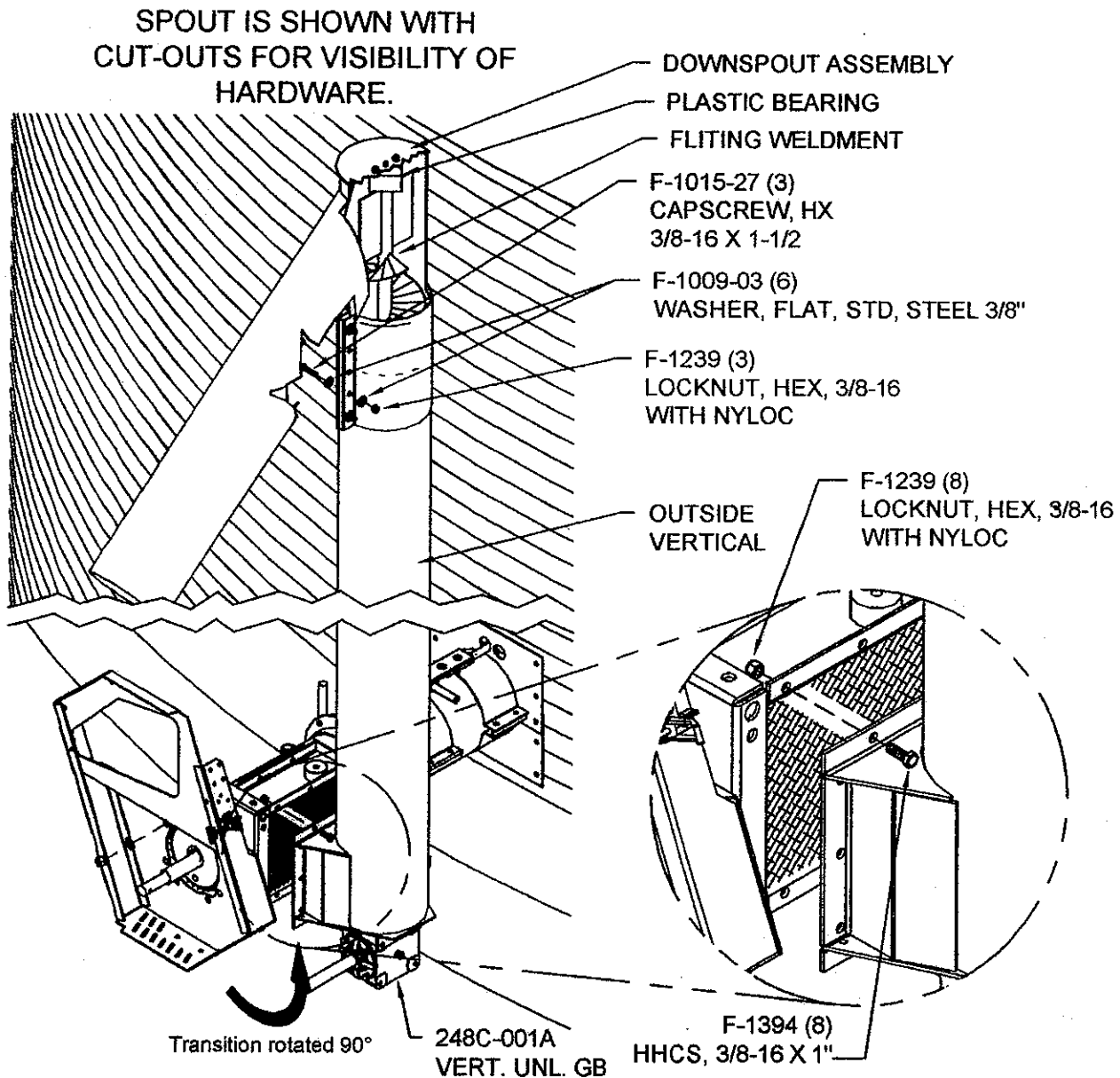
Outside Vertical Unloader Assembly (Bottom Drive)

SHIVERS INCORPORATED
614 W. English Street
Corydon, Iowa 50060
Ph..(641) 872-1005 Fax (641) 872-1593
www.shivvers.com

P-10649
09-01-05

Installing Outside Vertical (Bottom Drive)

With an outside vertical, the horizontal unload tube is rotated 90° for the vertical to operate. It may be easier to rotate the unload tube so the discharge opening is facing up, then bolt the vertical auger to it using hardware from 90° Transition Sack, 237-014A. If using a hanger bearing horizontal unload, make sure the hangers are straight up when assembly is complete. Attach the downspout to the vertical auger using hardware from Vertical Downspout Sack, 237-013A, as shown. Make sure the vertical auger fliting goes into the plastic bearing at the top of the downspout.

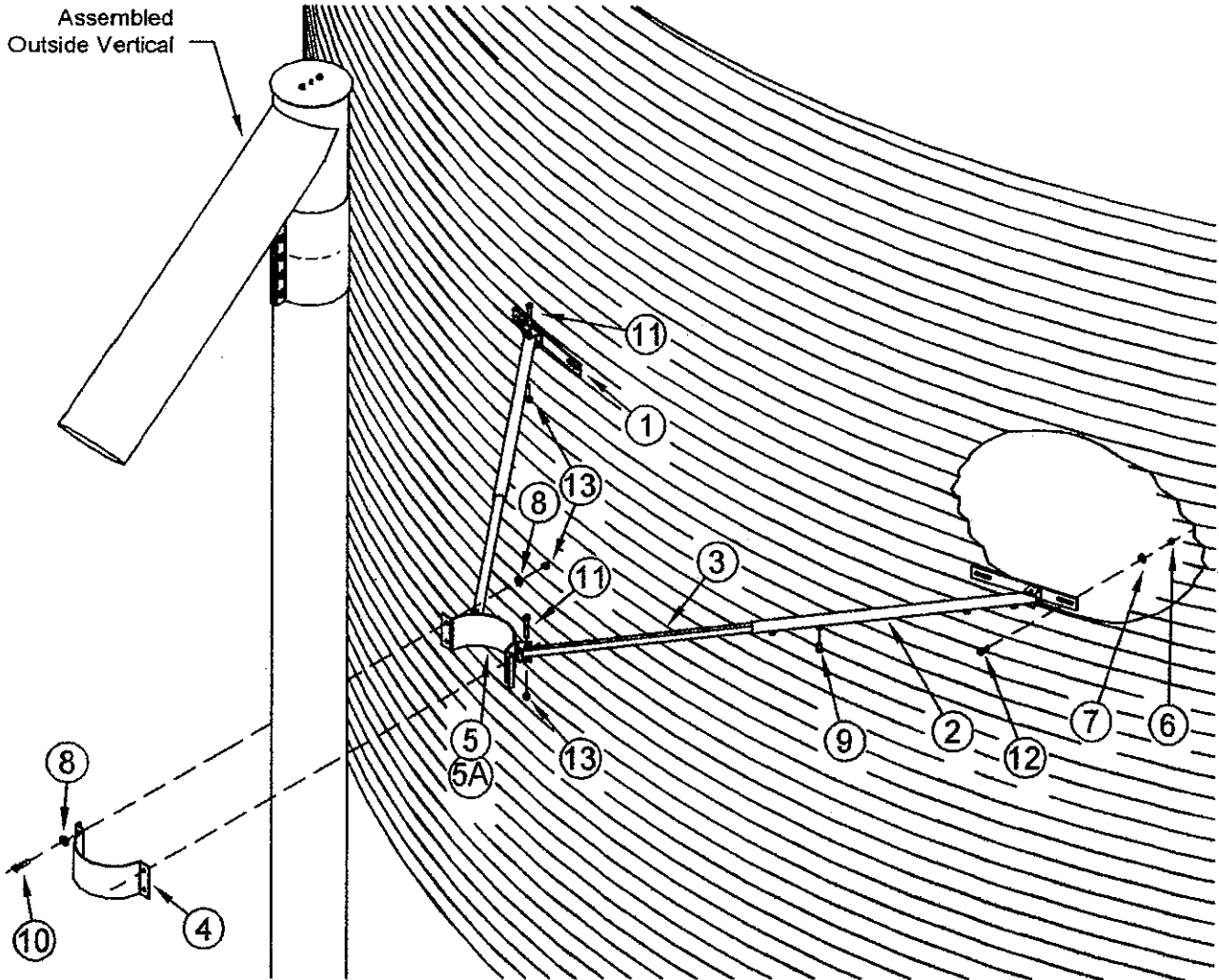


Installing Outside Vertical (Bottom Drive)

Installing Support Legs

After the whole Outside Vertical is assembled, the telescoping support legs can be attached to the Outside Vertical Tube, as shown. Once that is complete, rotate the unit into position. If using a hanger bearing horizontal unload, make sure the hangers are straight up when assembly is complete. Use temporary supports under the assembly until all support legs are secured to bin wall.

ITEM	DESCRIPTION	QTY	PART NO.	ITEM	DESCRIPTION	QTY	PART NO.
1	Bracket Weldment, Bin Brace	2	237-005W	A	Sack, Bin Brace	1	237-012A
2	Support Leg Weldment, Outside 30"	2	237-034W	6	Nut, Hex, 5/16-18 UNC-2B Nyloc	4	F-1005-02
3	Support Leg, Inside 30"	2	237-035P	7	Washer, Flat, STD, Steel 5/16"	4	F-1009-02
4	6" Half Band	1	201Z-023P	8	Washer, Flat, STD, Steel 3/8"	8	F-1009-03
	8" Half Band		201B-024P	9	Capscrew, Hx, 3/8-16 X 3/4	4	F-1015-23
5	6" Two Earred Half Band Weldment	1	237-004W	10	Capscrew, Hx, 3/8-16 X 1-3/4	4	F-1015-28
	8" Two Earred Half Band Weldment		244-002W	11	Capscrew, Hx, 3/8-16 X 2-1/2	4	F-1015-30
5A	6" Triple Earred Half Band Weldment		273-009W	12	Bolt, Bin w/ Washer 5/16-18 X 1	4	F-1027-02
	8" Triple Earred Half Band Weldment		397-002W	13	Locknut, Hex, 3/8-16 w/ Nyloc	8	F-1239



Installing Outside Vertical (Bottom Drive)

Follow instructions from P-11875 supplied with the belt shield for cutting out belt shield back and installing sprocket shield for bottom drive outside vertical chain. Align sprockets and install chain idler and chain for outside vertical. Put on sprocket shield cover.

