

CORYDON, IOWA

GRAIN SPREADER

REPLACEMENT PARTS

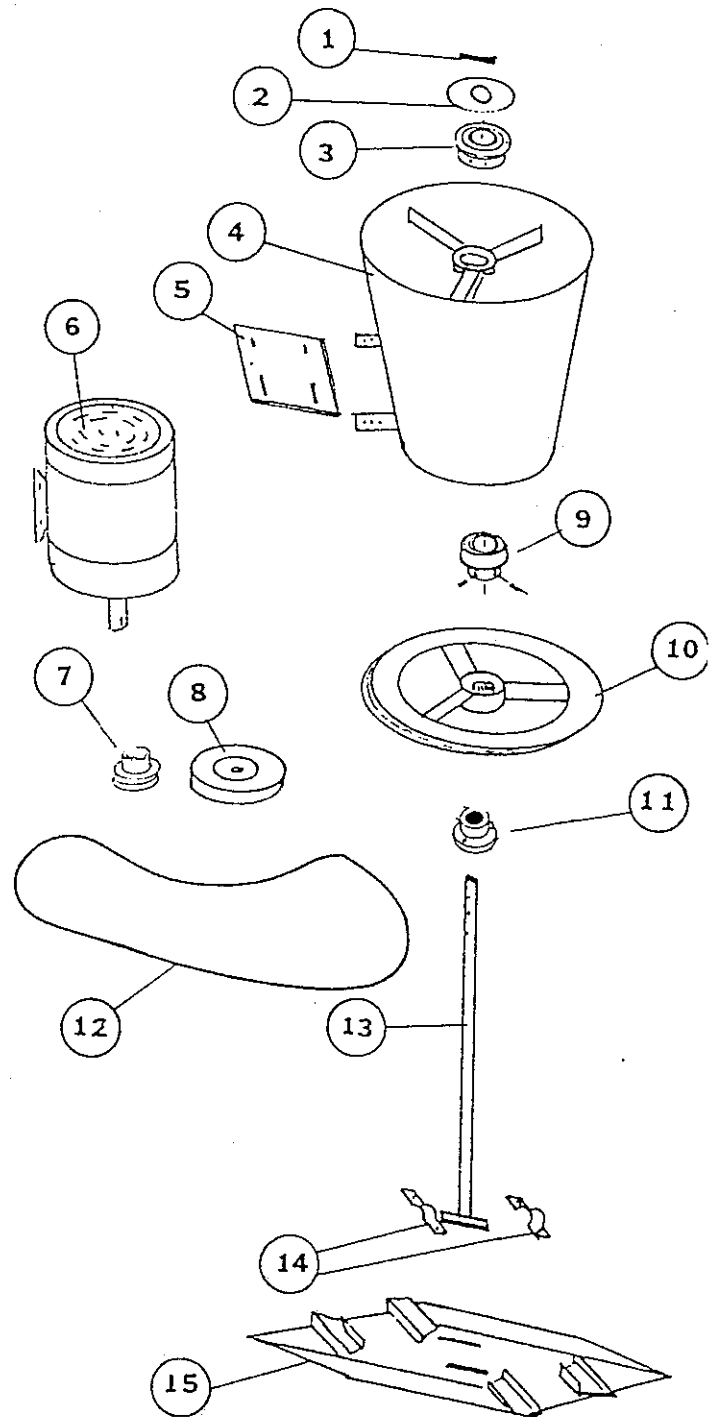
GRAIN HOG SPREADER

REPLACEMENT PARTS

GRAIN HOG SPREADER

REPLACEMENT PARTS

GRAIN HOG SPREADER			
1 HP 116E-008A			
1.5 HP 116G-008A			
ITEM	DESCRIPTION	QTY	PART #
1	Roll Pin,	1	F-1036-37
2	Washer	1	279-033P
3	Bearing (W/O Collar)	1	D-2008-02
4	Cone Weldment	1	116-010W
5	Frame Motor Mount	1	116-042P
6	Motor Assy. w/ Pigtail		
	1 HP	1	116-033A
	1.5 HP	1	116-050A
7	Motor Pulley	1	D-3194
8	Idler Pulley Assy.	1	116-053A
9	Bearing (with Collar)	1	D-2008-01
10	Spreader Pulley Wheel	1	116-040P
11	Hub	1	279-003P
12	Belt	1	D-3264
13	Shaft Weldment, Tee	1	116-019W
14	Clamp	2	116-036P
15	Spreader Pan Assy.		
	Small Pan	1	116A-002A
	Large Pan	1	116B-002A

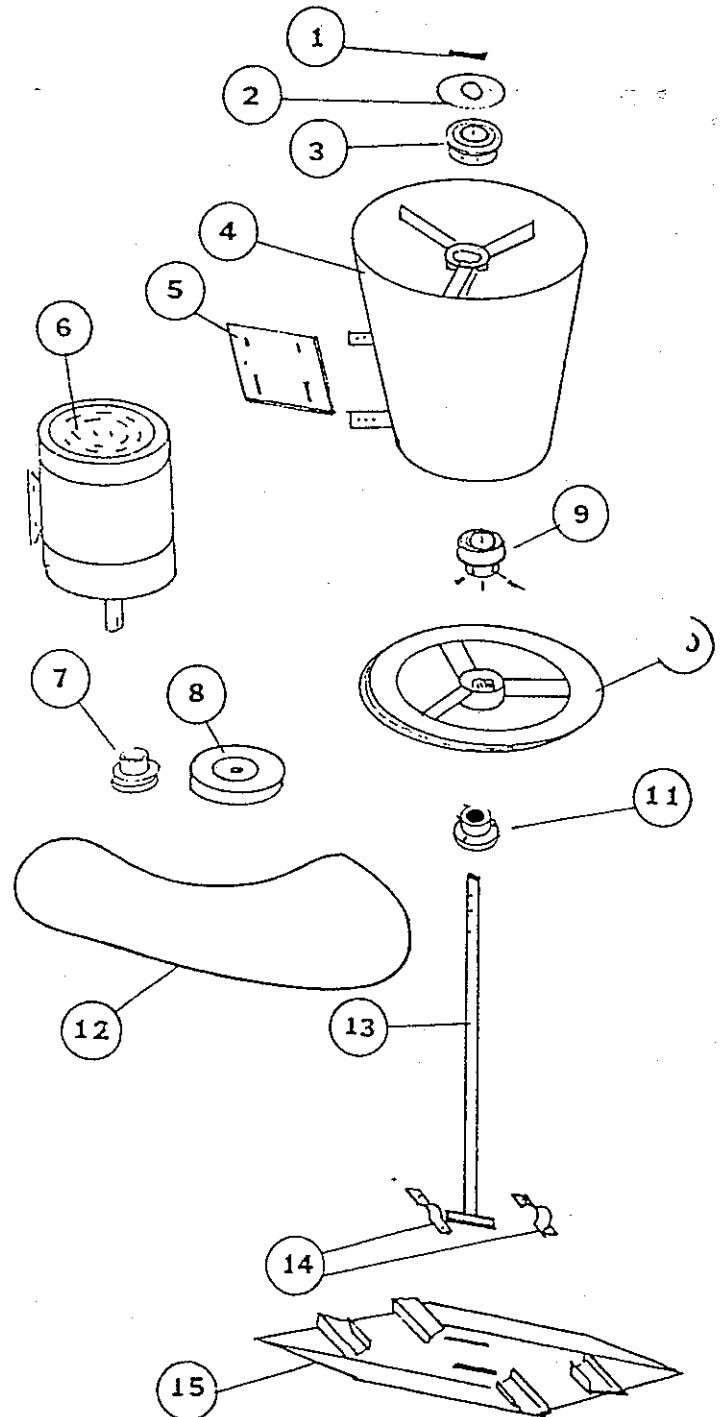


GRAIN HOG SPREADER

REPLACEMENT PARTS

GRAIN HOG SPREADER			
1/2 HP 116E-008A			
ITEM	DESCRIPTION	QTY	PART #
1	Roll Pin,	1	F-1036-37
2	Washer	1	279-033P
3	Bearing (W/O Collar)	1	D-2008-02
4	Cone Weldment	1	116-010W
5	Frame Motor Mount *	1	116-042P
6	Motor Assy. w/ Pigtail *	1	116-054A
7	Motor Pulley *	1	D-3008-01
8	Idler Pulley Assy.	1	116-053A
9	Bearing (with Collar)	1	D-2008-01
10	Spreader Pulley Wheel	1	116-040P
11	Hub	1	279-003P
12	Belt	1	D-3264
13	Shaft Weldment, Tee	1	116-019W
14	Clamp	2	116-036P
15	Spreader Pan Assy.		
	Small Pan	1	116A-002A
	Large Pan	1	116B-002A

* The 1/2 HP Grain Hog Spreader before 1986 used an "Oil-burner" style motor and took an AX56 belt. These motors are no longer available. To replace the motor on a spreader made before 1986, a kit (423-245-001A) containing the current motor mount, belt, etc. is needed.



GRAIN SPREADER

REPLACEMENT PARTS

GRAIN SPREADERS			
REGULAR 1/4 HP 279A-001A			
SUPER 1/3 HP 279B-001A			
ITEM	DESCRIPTION	QTY	PART #
1	Motor Assy. w/ Pigtail 1/4 HP 1/3 HP	1 1	279-023A 279-024A
2	Motor Pulley 1/4 HP 1/3 HP	1 1	D-3008-01 D-3008-02
3	Belt	1	D-3003-05
4	Hub	1	279-003P
5	Spreader Pan Assy.	1	279-011A
6	Spreader Pulley Wheel	1	279-043P
7	Bearing (with Collar)	1	D-2008-01
8	Cone Weldment	1	279-018W
9	Bearing (w/o Collar)	1	D-2008-02
10	Tube Weldment	1	279-019W
11	Threaded Rod Weldment	1	279-020W
12	Motor Mount	1	1-035W

