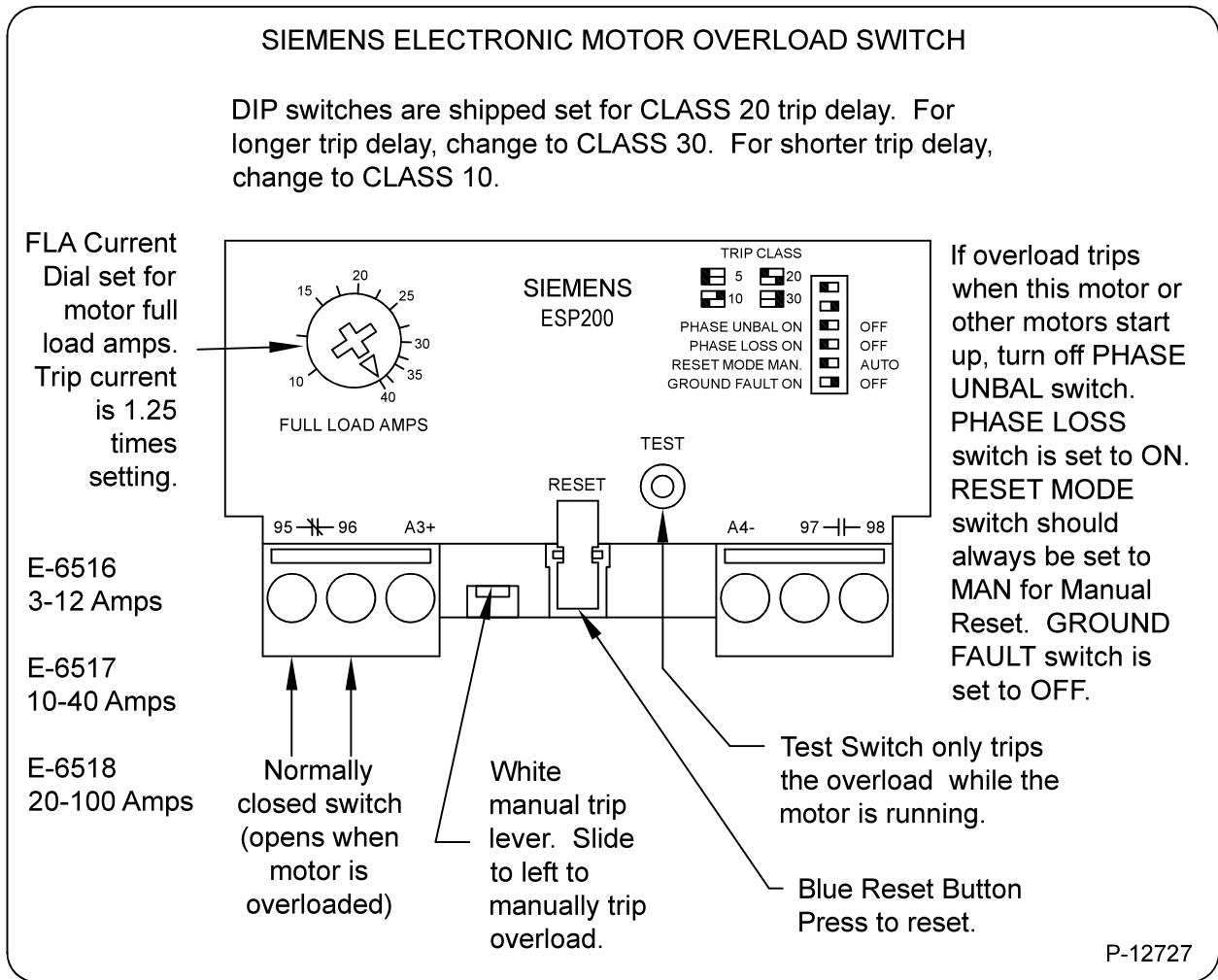


ADDENDUM to P-10819 LEVEL-DRY ELECTRICAL INSTALLATION

An electronic overload is now supplied
with all Level-Dry control panels.



For 3 phase, set the Full Load Amps dial to the motor nameplate full load amps. The trip current is 1.25 times the dial setting.

To remove the overload from the DIN rails, push down on the overload and pull the bottom of the overload out of the rail first.

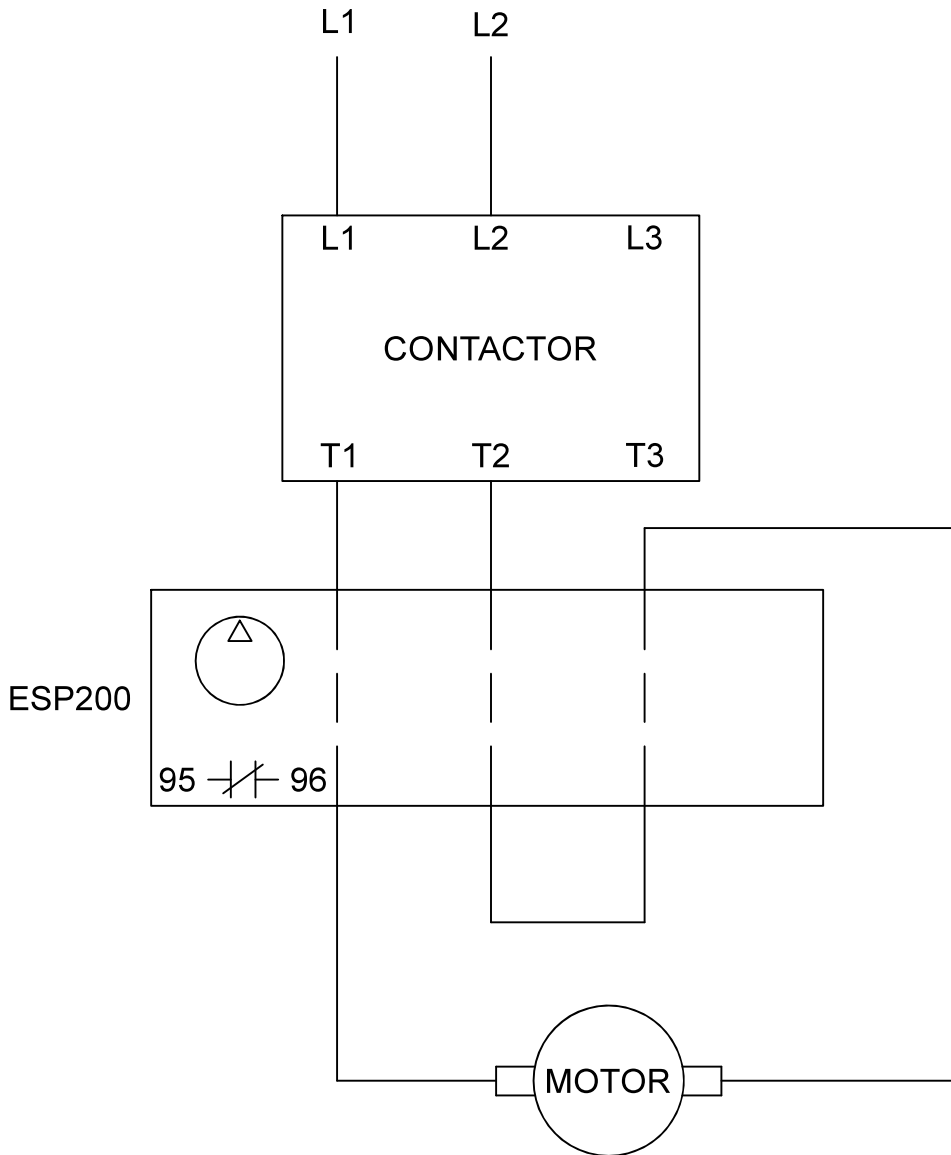


P-13510
JAN 6, 2021
REV. A

WIRING THE STARTER, cont'd

USING 3 POLE ELECTRONIC OVERLOAD FOR 1 PHASE

240 Volt, Single Phase



1. Motor wires must be routed through all 3 overload holes.
2. Because most single phase motors have a 1.0 service factor, set Full Load Amps (FLA) at motor nameplate FLA times 0.80.
For example, if 1 phase motor FLA = 40, set overload dial at $40 \times 0.80 = 32$ Amps. Trip Amps is now $32 \times 1.25 = 40$ amps
3. Turn OFF the PHASE UNBAL and PHASE LOSS switches on the overload.